



66 Block

INSTALLATION INSTRUCTIONS

ICC's Preterminated 66 Wiring Blocks with 8 or 12 Jacks

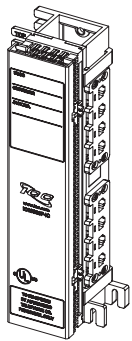
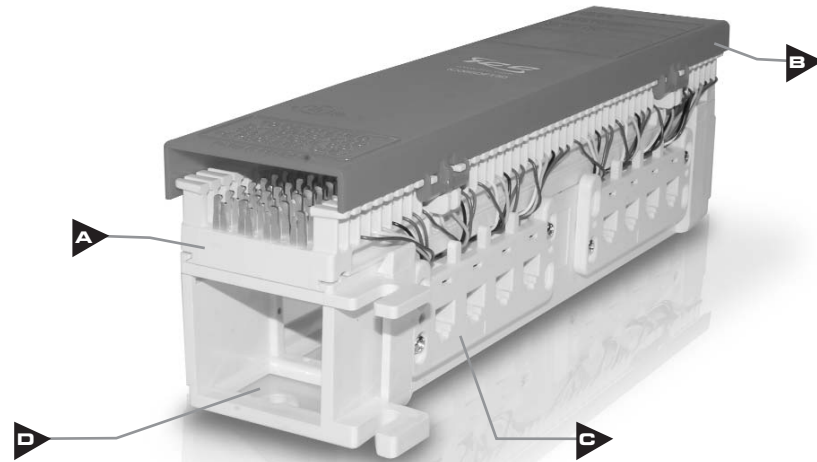
ICC's Preterminated 66 wiring blocks with 8 or 12 jacks are easy to install and cut installation time in half. ICC's 66 blocks can be used in a variety of applications including residential and commercial applications, and work with different types of low speed data and voice systems. Choose from 6P4C, 6P6C, or 8P8C 66 wiring blocks.

This installation instruction is designed for the following part numbers:

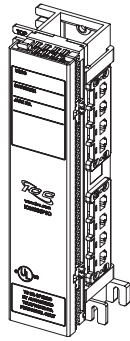
- IC06626P4C**
- IC06686P6C**
- IC06628P8C**

INCLUDES:

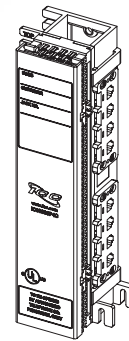
- A** Preterminated 66 Block
- B** Hinged Cover
- C** Jack Bezel
- D** 89D Mounting Bracket



IC06626P4C
Preterminated 66-Block with 12 RJ-11 6P4C Jacks:
(1) Preterminated 66 Block
(1) 89D Mounting Bracket
(12) 6P4C RJ-11 Jacks
(1) Hinged Cover



IC06686P6C
Preterminated 66-Block with 8 RJ-11 6P6C Jacks:
(1) Preterminated 66 Block
(1) 89D Mounting Bracket
(8) 6P6C RJ-11 Jacks
(1) Hinged Cover

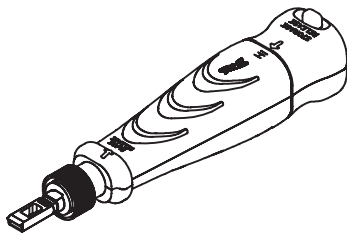


IC06628P8C
Preterminated 66-Block with 12 RJ-45 8P8C Jacks:
(1) Preterminated 66 Block
(1) 89D Mounting Bracket
(12) 8P8C RJ-45 Jacks
(1) Hinged Cover

AVAILABLE ACCESSORIES

ICC recommends the following accessories for a fast and easy installation.

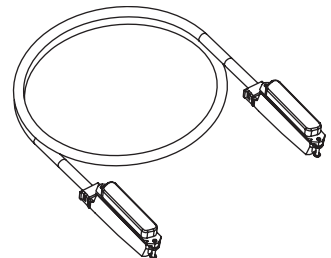
Single Blade Punch Down Tool
ICACSPDT00



66 Block Bridging Clips (25 Pack)
IC066BC025



25-Pair Telco Cable
ICPCSTXXX

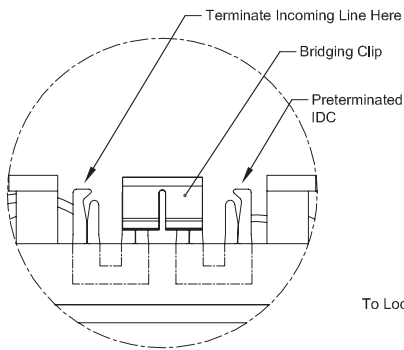


CUSTOMER CARE / TECHNICAL SUPPORT • CSR@ICC.COM / 888-275-4422 (ASK-4-ICC)

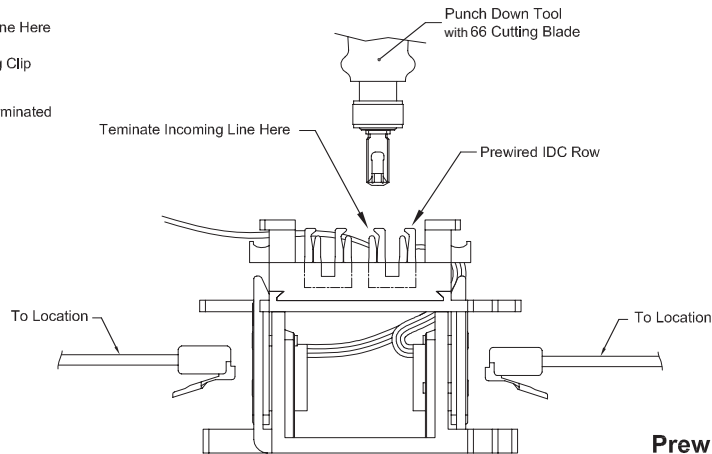
www.icc.com

Terminating Incoming Line

Terminating the incoming line on the 66 Block requires using a punch down tool with a 66 terminating blade.

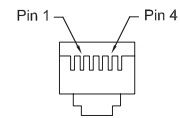


If using ICC's bridging clips use the configuration shown above.

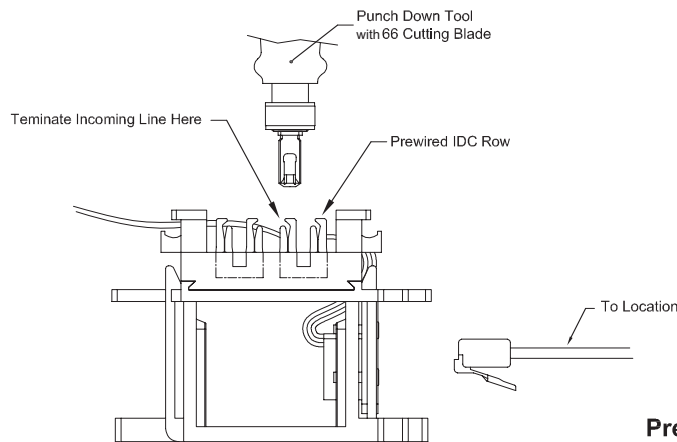


Color Scheme

PIN	WIRE COLOR
1	BLACK
2	RED
3	GREEN
4	YELLOW

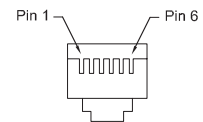


IC06626P4C
Prewired 66-Block with 12 RJ-11
6P4C Jacks

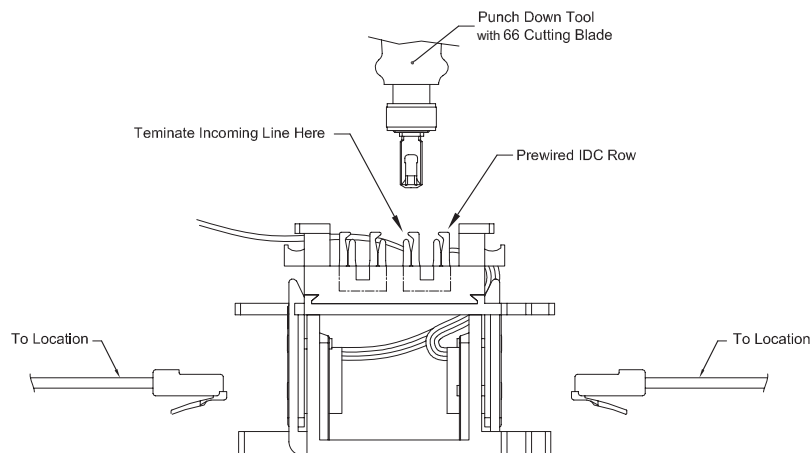


Color Scheme

PIN	WIRE COLOR
1	WHITE
2	BLACK
3	RED
4	GREEN
5	YELLOW
6	BLUE

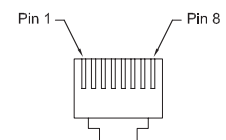


IC06686P6C
Prewired 66-Block with 8 RJ-11
6P6C Jacks



Color Scheme

PIN	WIRE COLOR
1	BLUE
2	ORANGE
3	BLACK
4	RED
5	GREEN
6	YELLOW
7	BROWN
8	WHITE



IC06628P8C
Prewired 66-Block with 12 RJ-45
8P8C Jacks