

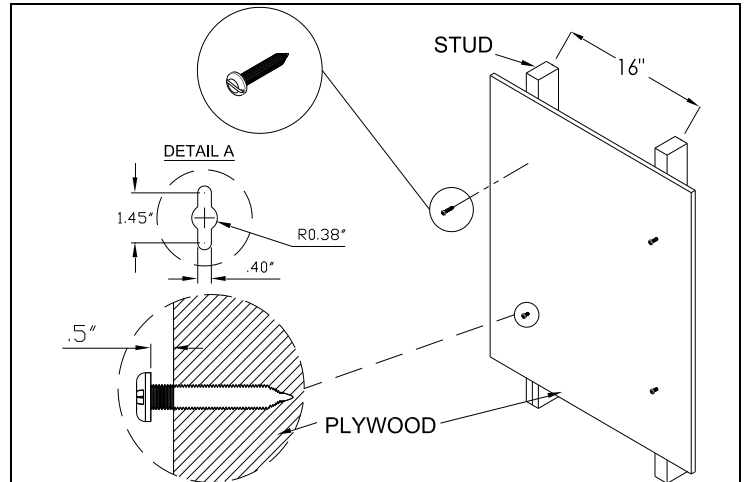
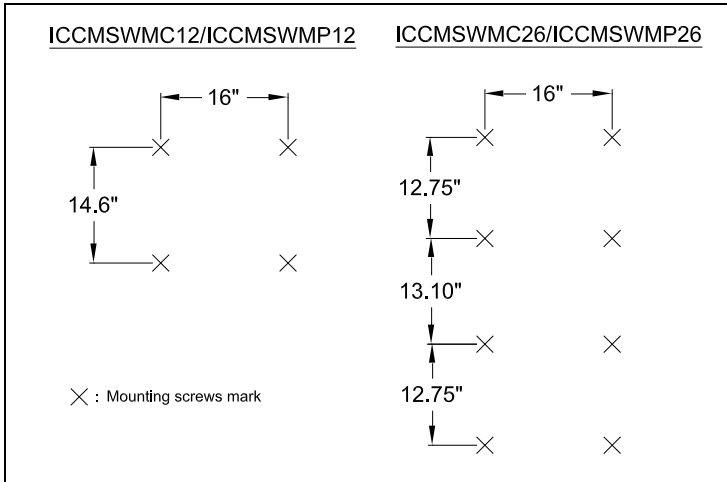


Wall Mount Cabinet, 12 & 26 RMS

INSTALLATION INSTRUCTIONS

CAUTION!

- Do not overload the cabinet. Cabinet can support up to 150 lbs. of equipment when properly installed using all mounting holes.
- Make sure wall has a structural load capacity that will support the weight of the cabinet fully loaded equipment.
- Do not attempt to lift the cabinet alone.
- Before installation, locate where the cabinet is to be installed; concrete walls, plywood and wooden studs are recommended.

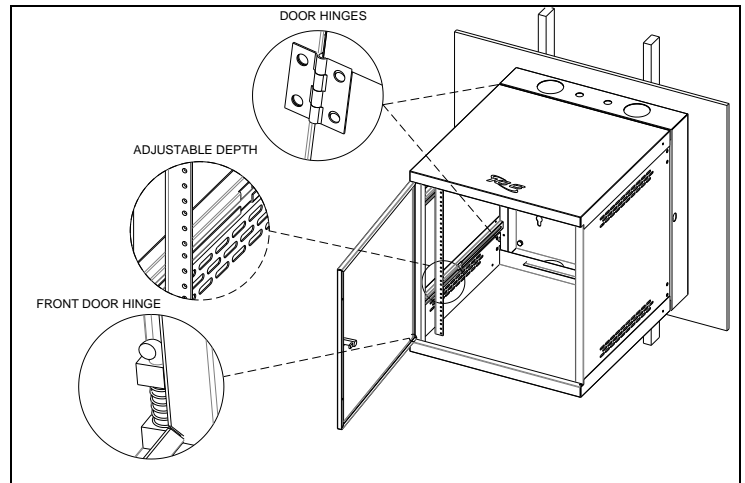
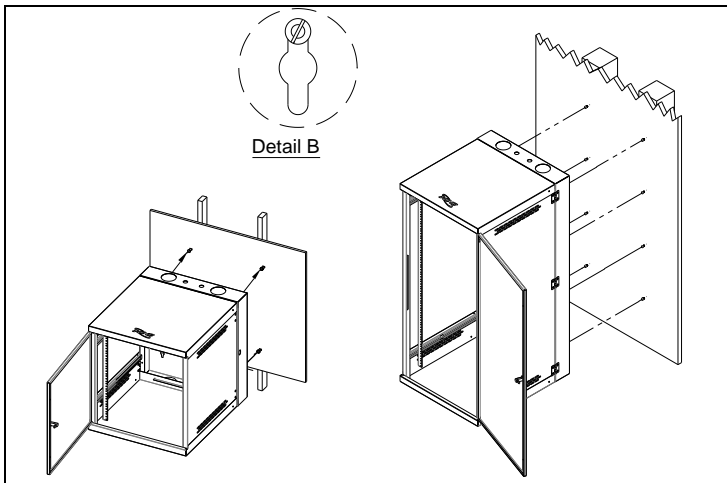


Step 1: Use a level to mark locations for mounting screws as shown above. Templates and screws are not provided.

ICCMSWMC12/ICCMSWMP12: Requires four (4) ¼-10 X 2 Lag Screws
ICCMSWMC26/ICCMSWMP26: Requires eight (8) ¼-10 X 2 Lag screws

Step 2: Drill screws into marked locations without fully tightening them. Leave at least a .5" gap between screws and wall.

Note: Make sure the screws you are using fit the screws slot shown in Detail A.



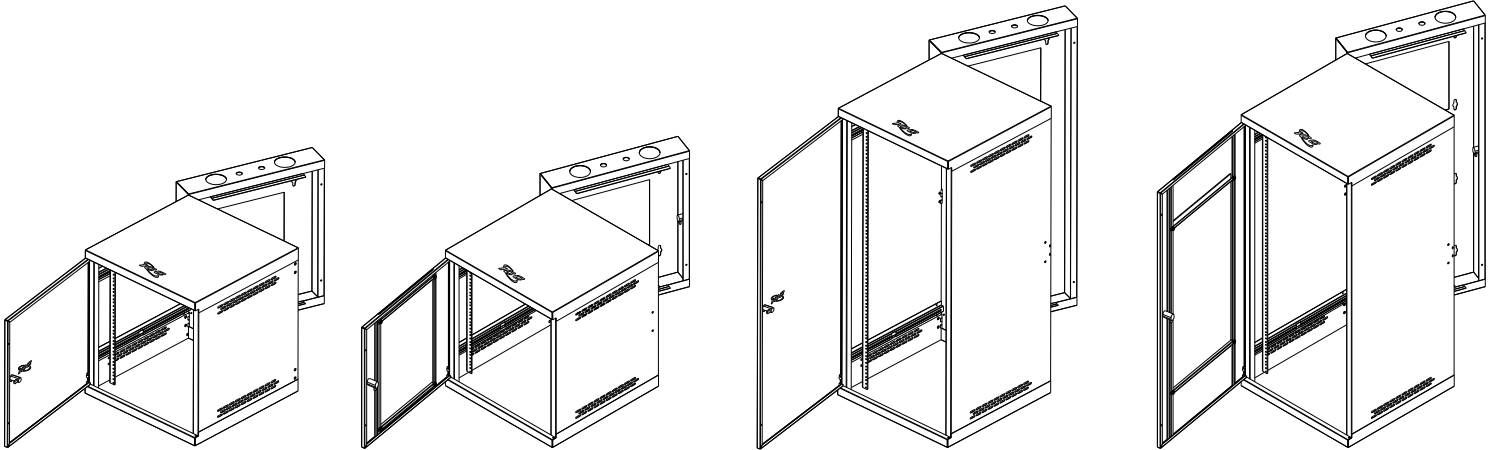
Step 3: Place the Wall Mount Cabinet onto the pre-drilled screws, then tighten all screws. Screws and screw slots should look like Detail B when fully tighten.

NOTE: To adjust the depth of the rail, lightly untighten the screw, adjust to the desired depth and then tighten the screw.



Wall Mount Cabinet, 12 & 26 RMS

INSTALLATION INSTRUCTIONS

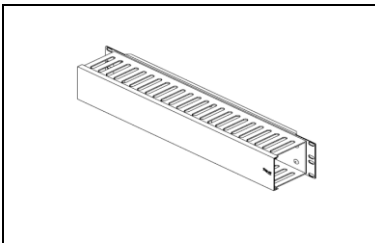


PART NUMBER	DESCRIPTION
ICCMSWMC12	22"W x 24"H x 26"D, 12 RMS
ICCMSWMP12	22"W x 24"H x 26"D, 12 RMS, Plexiglass Door
ICCMSWMC26	22"W x 48"H x 26"D, 26 RMS
ICCMSWMP26	22"W x 48"H x 26"D, 26 RMS, Plexiglass Door

FEATURES AND BENEFITS

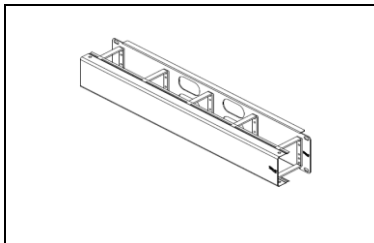
- Vented panels help circulate air
- Wall mountable for left or right orientation
- Cable knockouts on top and bottom: (4) 3.0" and (4) 0.88"
- Mounting rails for equipment are adjustable
- Rails accommodate equipment with 19" widths
- Complies with EIA/ECA-310-E standard
- Front door is hinged, removable, reversible and lockable
- Rear panel is hinged and lockable

OPTIONAL ACCESSORIES



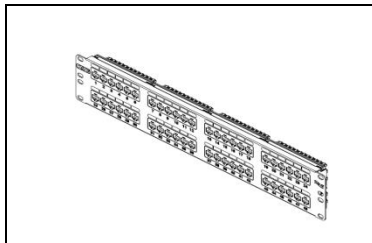
Single Horizontal Finger Ducts

- ICCMSMA41** 1.75"H x 3.19"D, 1 RMS
ICCMSMA42 3.50"H x 3.23"D, 2 RMS
- For front cable management
 - Durable steel base with plastic fingers
 - Includes slide-on cover



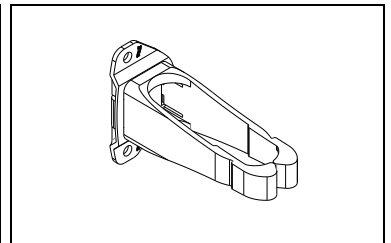
Metal Ring Panels

- ICCMSMPK1** Panel with cover, 1 RMS
ICCMSMPK2 Panel with cover, 2 RMS
- For horizontal cable routing



CAT 6 Patch Panels

- ICMPP02460** 24-Port, 8P8C, 1 RMS
ICMPP04860 48-Port, 8P8C, 2 RMS
- Exceeds ANSI/TIA-568 standards
 - Rear 110-Type IDC termination



Cable Management Rings

- ICCMSMPR5** 1.25" Vertical Ring
ICCMSMPR7 3" Universal Ring
ICCMSMPT1 1.7" Single Ring
ICCMSMPT2 3" Single Ring
- Provides flexibility for front or back cable management with a neat and clean appearance

888-ASK-4ICC

csr@icc.com

icc.com