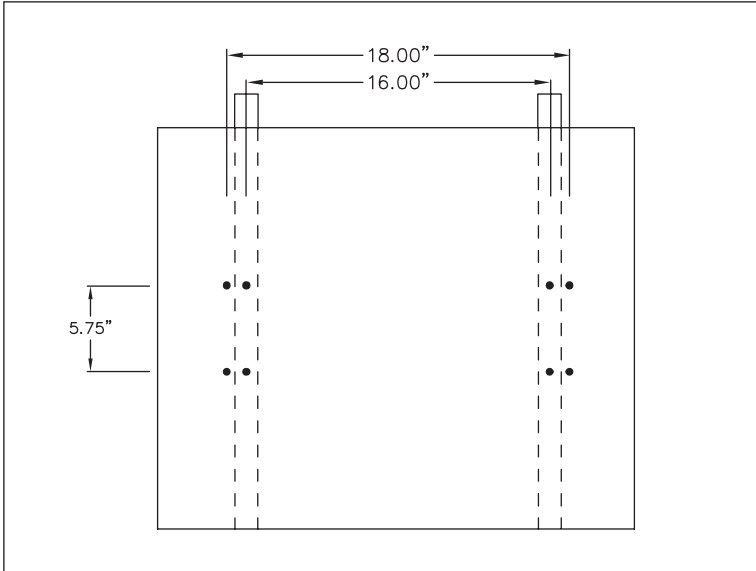




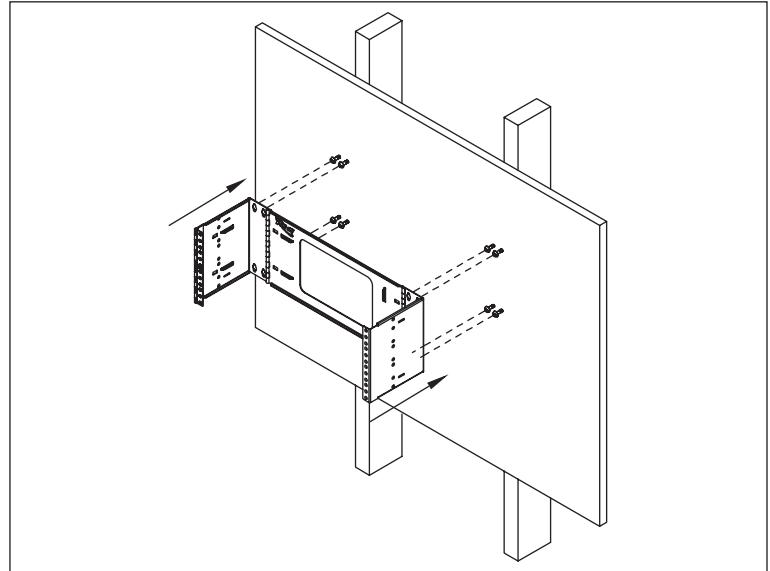
6" Depth EZ-FOLD™ Wall Mount Bracket, 4 RMS

INSTALLATION INSTRUCTIONS

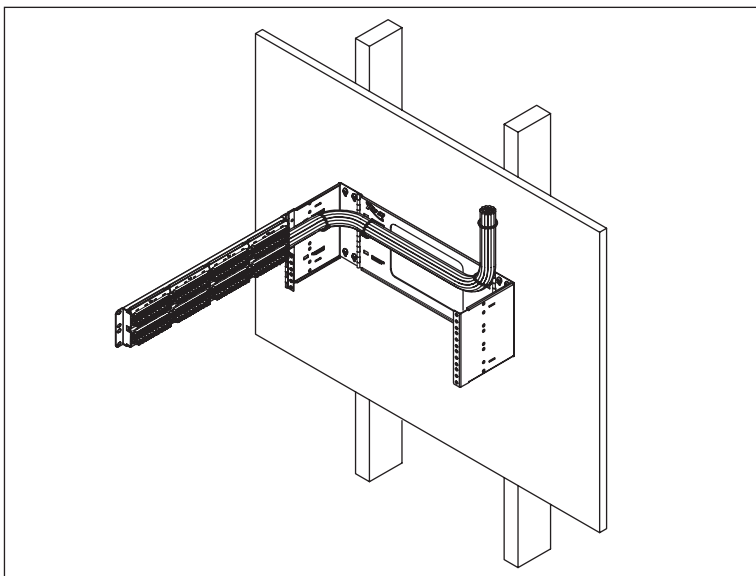


- Step 1. Pre-drill screws onto the wall surface, but do not tighten completely.
- Use inner mounting holes positioned at 16.00" to secure bracket to studs.
 - Use outer mounting holes positioned at 18.00" to secure bracket to board.

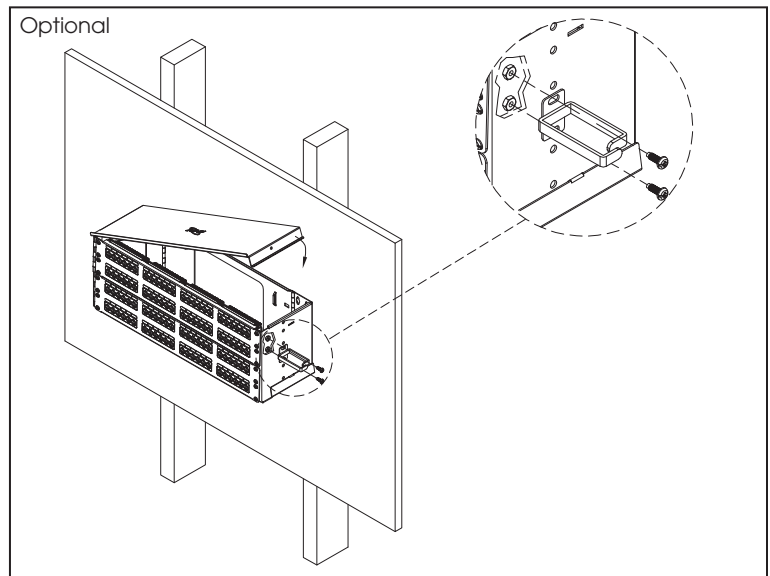
Note: Screws not included. It is recommended to use a level for accurate mounting.



- Step 2. Align mounting holes to the semi-tighten screws and mount the bracket. Tighten all screws securely before mounting equipment.



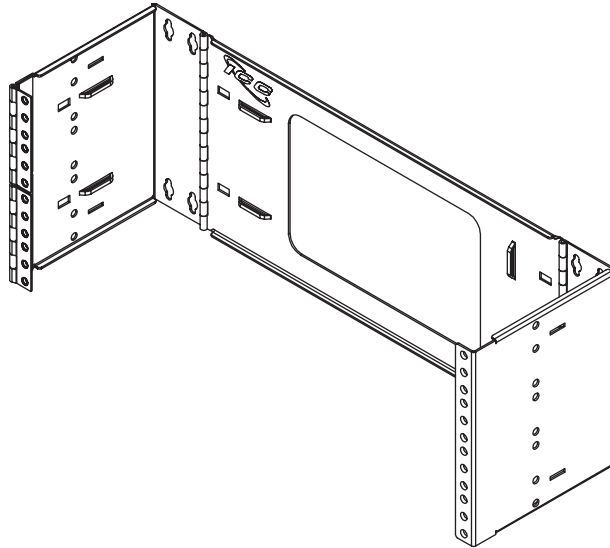
- Step 3. Route and secure cable bundle(s) to the bracket as shown.



- Optional
1. Complete installation by installing covers on top and bottom of bracket.
 2. Metal rings can be mounted along the sides of the bracket for cable management. Note: To secure the rings, use #12-24 machine screw nut with lock washer or #12-24 flange nut. (Not sold by ICC)

6" Depth EZ-FOLD™ Wall Mount Bracket, 4 RMS

I N S T A L L A T I O N I N S T R U C T I O N S

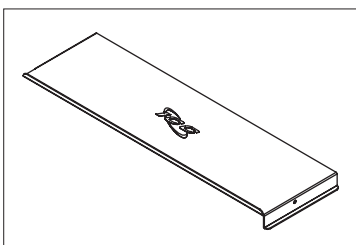


Item No.	Description	Rack Mount Spaces	Weight Capacity
ICCMSABR64	19.30" L X 7.00" H X 6" D	4	40 lbs

F E A T U R E S A N D B E N E F I T S

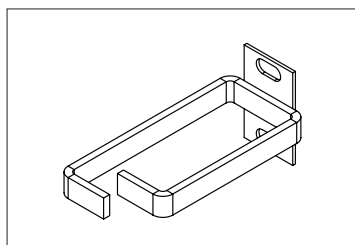
- Made of heavy duty steel and supports up to 40 lbs. of equipment
- Hinged every 2 rack mount spaces for easy maintenance
- 6" depth to hold network and phone equipment
- Cable tie anchors are positioned throughout the bracket to help organize cable
- Compatible with standard 19" width equipment and EIA-310-D hole pattern

O P T I O N A L A C C E S S O R I E S



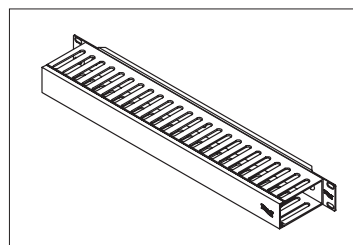
EZ-FOLD Wall Mount Bracket Cover

- ICCMSHBCVR** Top cover
- Mounts on top
 - Helps protect equipment and cables
 - Strong steel construction



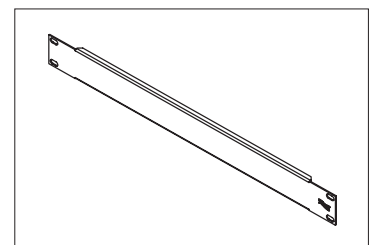
Metal Cable Management Rings, 10 Pk

- ICCMSCMPT1** 1.70" Single, Vertical
ICCMSCMPT2 3" Single, Vertical
- Metal construction for durability
 - Single sided rings



Single Horizontal Finger Ducts

- ICCMSCMA41** 1.58" H x 3.15" D, 1 RMS
ICCMSCMA42 3.15" H x 3.15" D, 2 RMS
- For front cable management
 - Durable steel base with plastic fingers
 - Includes slide-on cover



Blank Panels

- ICCMSCMPB1** 1.75" H x 19" W, 1 RMS
ICCMSCMPB2 3.50" H x 19" W, 2 RMS
ICCMSCMPB3 5.25" H x 19" W, 3 RMS
- Fills empty spaces between mounted equipment
 - Strong steel construction