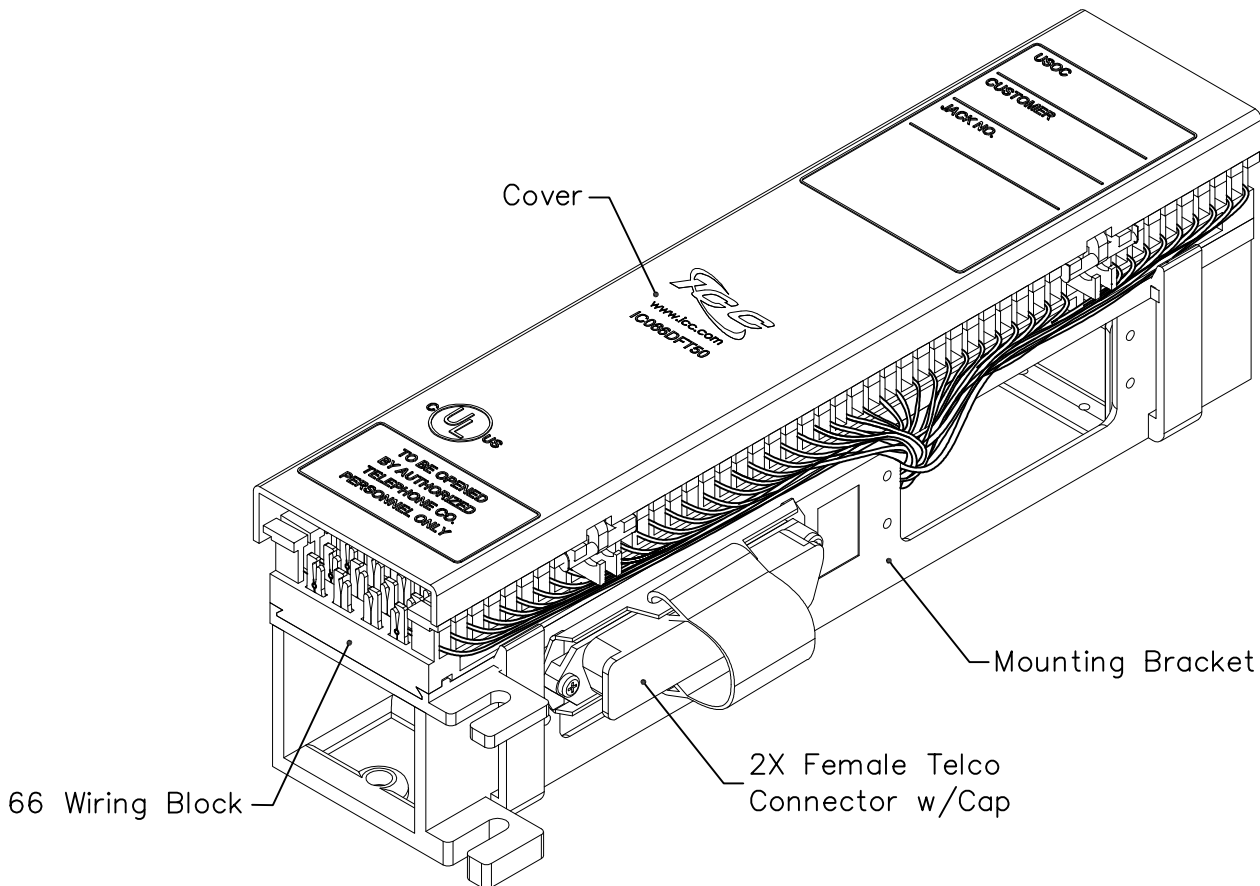


Prewired 50-Pair 66 Wiring Block W/Dual Female Telco Connector

PRODUCT SPECIFICATION

Package includes:

- A. Prewired 50-Pair 66 Wiring Block, 1 pc
- B. 89D Mounting Bracket, 1 pc
- C. 66 Wiring Block Cover, 1 pc
- D. Female Amphenol Connector, 2 pc



Features and Benefits:

- Two prewired female amphenol connectors facilitate installation and saves time.
- Designed for data, voice, PBX systems, and low voltage telecom equipment.
- Performance exceeds Category 5e connecting hardware requirements specified in TIA/EIA-568-C.2
- Durable and strong high impact flame retardant material.
- Includes removable 89D mounting bracket for wall mounting.
- Accommodates IC066BRCLP 66 wiring block bridging clips.
- Includes hook and loop tie security straps to maintain integrity of connection with telco assembly.
- Removable hinged cover provided.
- Accepts 22~26 AWG.

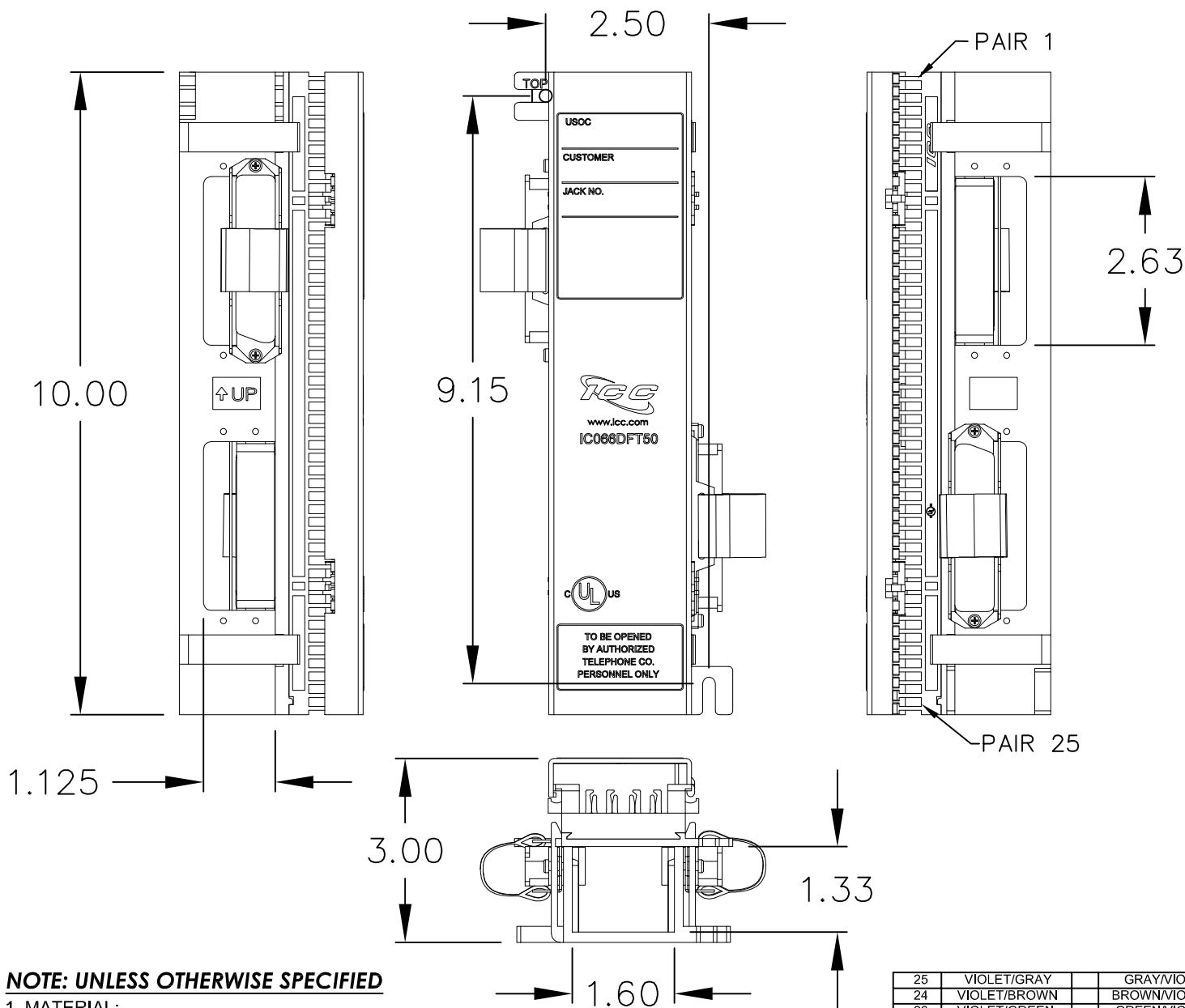
66 WIRING BLOCK, DUAL FEM TELCO, 50 PR

ITEM NO.	IC066DFT50
DWG NO.	PS066DFT50

REV.	A
PAGE NO.	1



CUSTOMER CARE / TECHNICAL SUPPORT * CSR@ICC.COM / 888-ASK-4-ICC (275-4422) * 14700 Alondra Blvd., La Mirada, CA 90638* www.icc.com



NOTE: UNLESS OTHERWISE SPECIFIED

1. MATERIAL:

- A. HOUSING: HIGH IMPACT FLAME RETARDANT PLASTIC, UL 94V0
- B. IDC: BRASS WITH 100 MICRO-INCH OF TIN
- C. TERMINALS: GOLD OVER NICKEL PLATED COPPER ALLOY

2. TEMPERATURE RANGE:

- A. STORAGE: -40° TO +70°C
- B. OPERATION: -10° TO +60°C
- C. NONCONDENSING: 93%

3. ELECTRICAL:

- A. ELECTRICAL INSULATION RESISTANCE: -500 MOHM MIN @ 100V DC
- B. DIELECTRIC WITHSTANDING VOLTAGE: -1000V RMS @ 60Hz FOR 1 MINUTE
- C. CONTACT RESISTANCE: 2.5 MOHMS MAX

4. MECHANICAL:

- A. EXTRACTION FORCE: MINIMUM 5N FOR 24 AWG
MINIMUM 3N FOR 26 AWG
- B. INSERTION/EXTRACTION LIFE: 200 CYCLES MINIMUM
- C. IDC WIRE GAUGE: 22~26 AWG

25	VIOLET/GRAY	GRAY/VIOLET	
24	VIOLET/BROWN	BROWN/VIOLET	
23	VIOLET/GREEN	GREEN/VIOLET	
22	VIOLET/ORANGE	ORANGE/VIOLET	
21	VIOLET/BLUE	BLUE/VIOLET	
20	YELLOW/GRAY	GRAY/YELLOW	
19	YELLOW/BROWN	BROWN/YELLOW	
18	YELLOW/GREEN	GREEN/YELLOW	
17	YELLOW/ORANGE	ORANGE/YELLOW	
16	YELLOW/BLUE	BLUE/YELLOW	
15	BLACK/GRAY	GRAY/BLACK	
14	BLACK/BROWN	BROWN/BLACK	
13	BLACK/GREEN	GREEN/BLACK	
12	BLACK/ORANGE	ORANGE/BLACK	
11	BLACK/BLUE	BLUE/BLACK	
10	RED/GRAY	GRAY/RED	
9	RED/BROWN	BROWN/RED	
8	RED/GREEN	GREEN/RED	
7	RED/ORANGE	ORANGE/RED	
6	RED/BLUE	BLUE/RED	
5	WHITE/GRAY	GRAY/WHITE	
4	WHITE/BROWN	BROWN/WHITE	
3	WHITE/GREEN	GREEN/WHITE	
2	WHITE/ORANGE	ORANGE/WHITE	
1	WHITE/BLUE	BLUE/WHITE	
PAIR NO.	TIP	RING	
	WIRE COLOR		

66 WIRING BLOCK, DUAL FEM TELCO, 50 PR

ITEM NO. IC066DFT50
 DWG NO. PS066DFT50

REV. A
 PAGE NO. 2



CUSTOMER CARE / TECHNICAL SUPPORT * CSR@ICC.COM / 888-ASK-4-ICC (275-4422) * 14700 Alondra Blvd., La Mirada, CA 90638* www.icc.com