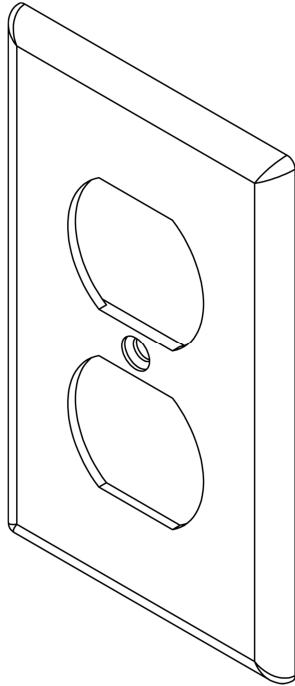


# Single Gang Electrical Faceplate

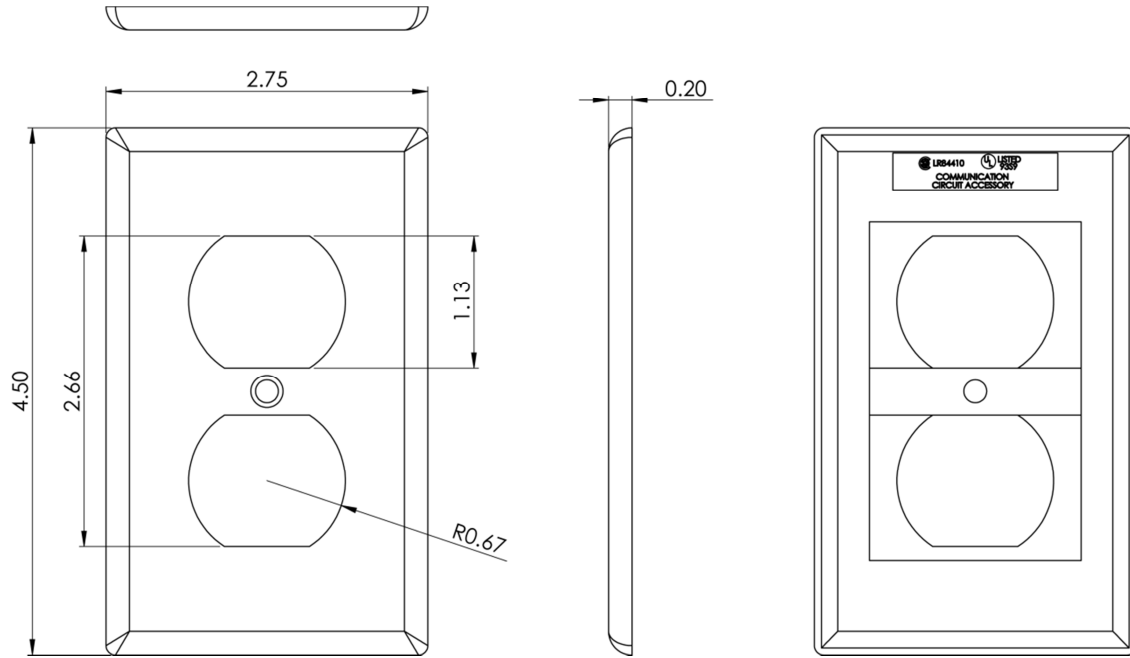


## Package Includes

- A. Single Gang Electrical Faceplate, **1 Piece**.
- B. #6-32 x 3/4" Oval Head, Countersink, Deep Slotted Drive, Machine Screw, **1 Piece**

## Features and Benefits

- Configured to fit standard single gang electrical outlet
- Designed for commercial or residential applications
- Rugged and durable construction
- Accepts IC107 electrical inserts
- ANSI/TIA-568-C and UL 1863 Compliant
- Country Of Origin: Taiwan
- TAA Compliant



**Specifications**

- Material: ABS, UL 94V-0
- Finish Texture
- Color: XX: IV-Ivory, WH-White