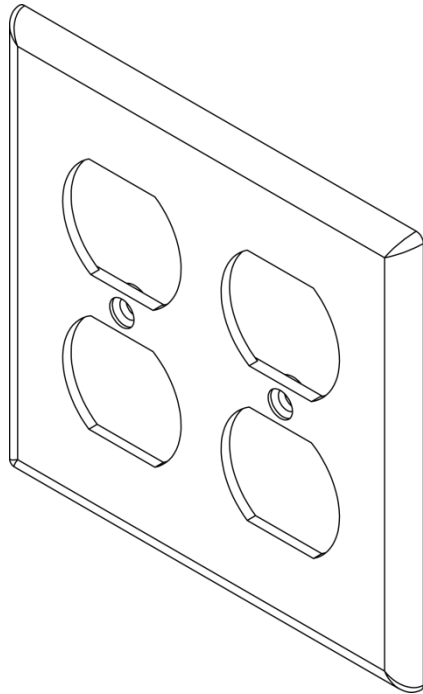


Double Gang Electrical Faceplate

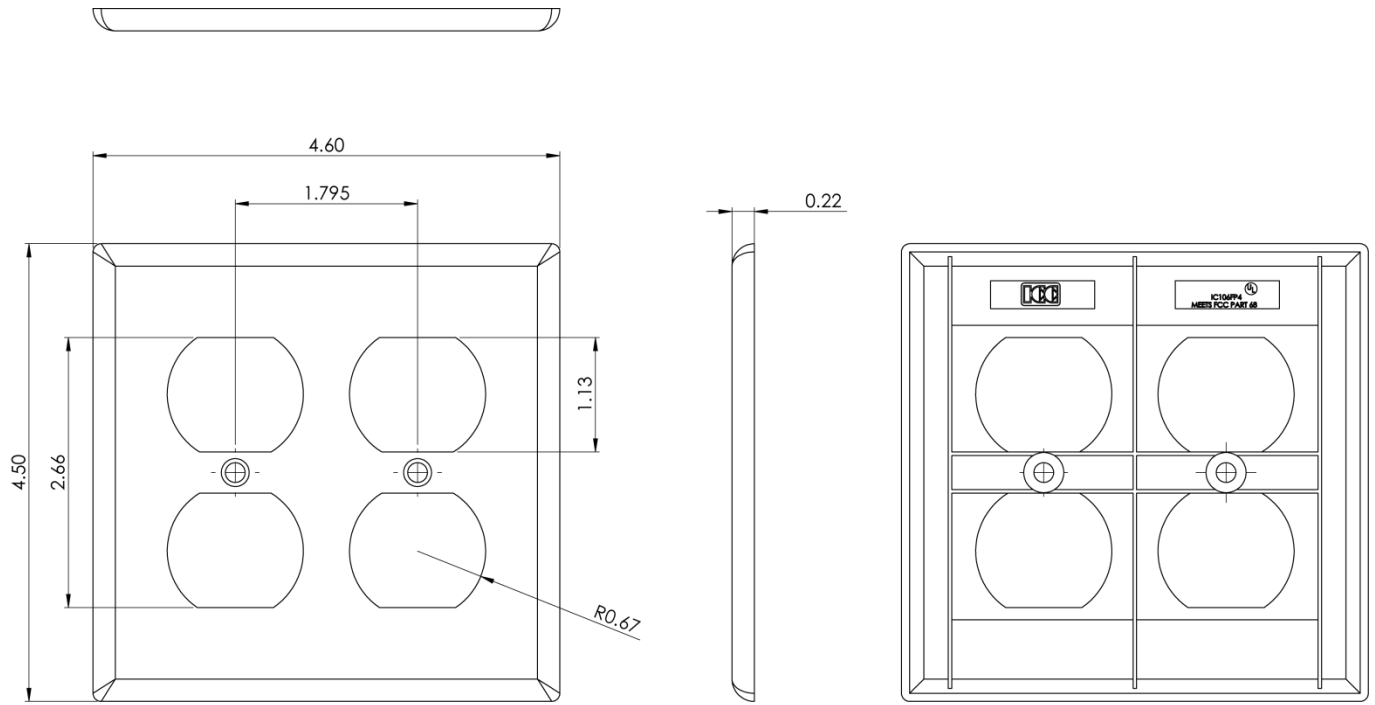


Package Includes

- A. Double Gang Electrical Faceplate, **1 Piece**.
- B. #6-32 x 3/4" Oval Head, Countersink, Deep Slotted Drive, Machine Screw, **1 Piece**

Features and Benefits

- Configured to fit standard double gang electrical outlet
- Designed for commercial or residential applications
- Rugged and durable construction
- Accepts IC107 electrical inserts
- ANSI/TIA-568-C and UL 1863 Compliant



Specifications

- Material: ABS, UL 94V-0
- Finish Texture
- Color: XX: IV-Ivory, WH-White

