

RJ-11 HD Voice Modular Connector, 400 Pack

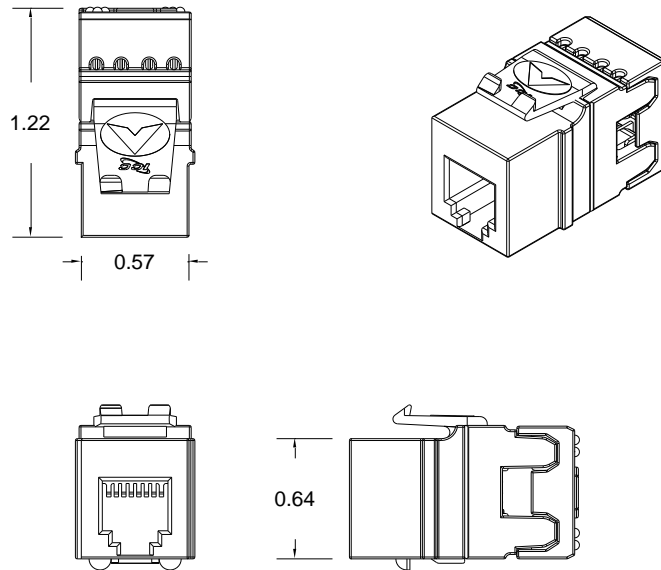
Package Includes

- A. RJ-11 HD Module, 400 PCS.
- B. JackEasy Termination Tool, 1 PC
- C. Installation Instructions, 1 sheet



Features and Benefits

- Designed for all voice connectivity applications
- PCB technology provides maximum performance and superior signal quality
- Engineered to provide 110 IDC termination reducing installation time.
- Reduced rear footprint allows for greater connectivity density and provides for more port configurations in a smaller area.
- Includes an integrated USOC/UTP color wiring diagram
- Compatible with all IC107 faceplates, inserts, surface mount boxes, and blank patch panels.
- Compatible with all IC108 furniture faceplates, bezels, and surface mount boxes.
- Jackeasy Termination Tool is included for convenience-- ICACSPDTEH
- Available in White
- ANSI/TIA-568-C and UL 1863 compliant



NOTE: UNLESS OTHERWISE SPECIFIED

1. RJ-11 Voice Module:

A. Electrical:

- Current Rating: 1.5 AMPS
- Voltage Rating: 150 Volts Alternating
- Dielectric Withstanding Voltage: 100 Volts RMS, 60 HZ
- Insulation Resistance: >10 MOHMS

B. Mechanical:

- Mated Force: 5 lbs. Max
- Unmated Force: 5 lbs. Max
- Plug Retention Force: 20 lbs. Min
- Durability: 750 cycles

C. Physicals:

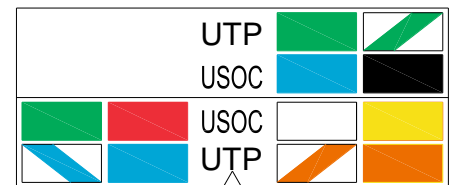
- Housing: High Impact, Flame Retardant Plastic, UL 94V-0
- Contact: Phosphor Bronze Alloy Plated with 50 µin of Gold
over 70~100 µin of Nickel
- Gold Plating: 1.27 Micron/50 µin Min
- Connector: Insulation Displacement Connector (IDC)
Accepts 22~24 AWG Solid Wire

D. Colors: XX: WH-White

2. Termination Cap:

- A. Material: PC, UL 94V-0
- B. Color: Clear

WIRING DIAGRAM



CAT 3 CONNECTING HARDWARE REQUIREMENTS					
Frequency (MHz)	1.0	4.0	8.0	10.0	16.0
NEXT Loss (db)	58.1	46.0	40.0	38.1	34.0
FEXT Loss (db)	N/S	N/S	N/S	N/S	N/S
Return Loss (db)	N/S	N/S	N/S	N/S	N/S
Insertion Loss (db)	0.10	0.20	0.28	0.32	0.40

