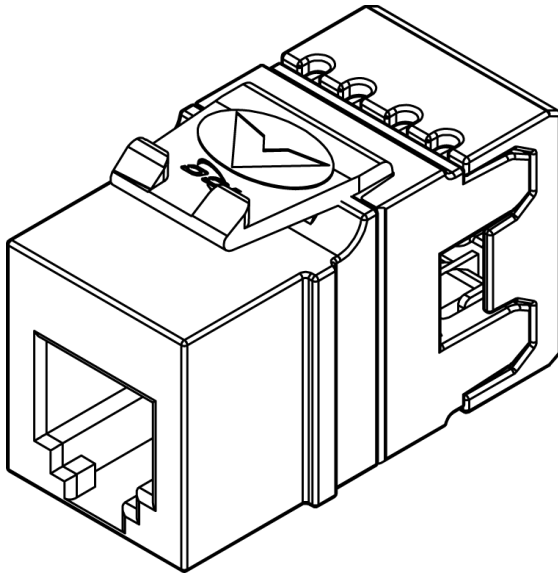


6P6C HD Voice Modular Connector, 400 Pack, w/JackEasy™

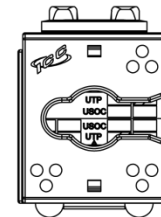
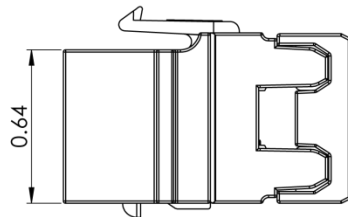
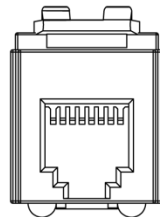
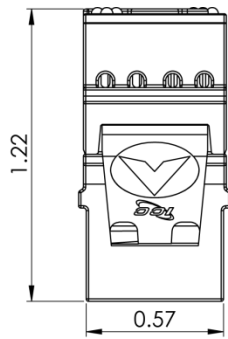


Package Includes:

- A. RJ-11 HD Module, **400 Pieces**
- B. JackEasy™ Termination Tool, **1 Piece**
- C. Installation Instructions, **1 Sheet**

Features and Benefits

- Designed for all voice connectivity applications
- Lead frame technology provides maximum performance and uninterrupted signal integrity
- Engineered to provide 110 IDC termination reducing installation time
- Reduced rear footprint allows for greater connectivity density and provides for more port configurations in a smaller area
- One piece termination cap allows for a quick and easy termination
- Includes an integrated USOC/UTP color wiring diagram
- Compatible with all IC107 faceplates, inserts, surface mount boxes, and blank patch panels
- Used with ICC JackEasy™ Termination Tool ICACSPDTEH, and 110 punch down tool ICACSPDT00
- JackEasy™ Termination Tool is included for convenience-- ICACSPDTEH
- Available in white
- ANSI/TIA-568-C and UL 1863 compliant



NOTE: UNLESS OTHERWISE SPECIFIED

1. RJ-11 Voice Module:

A. Electrical:

- Current Rating: 1.5 AMPS
- Voltage Rating: 150 Volts Alternating
- Dielectric Withstanding Voltage: 100 Volts RMS, 60 HZ
- Insulation Resistance: >10 MOHMS

B. Mechanical:

- Mated Force: 5 lbs. Max
- Unmated Force: 5 lbs. Max
- Plug Retention Force: 20 lbs. Min
- Durability: 750 cycles

C. Physicals:

- Housing: High Impact, Flame Retardant Plastic, UL 94V-0
- Contact: Phosphor Bronze Alloy Plated with 50 µin of Gold
over 70~100 µin of Nickel
- Gold Plating: 1.27 Micron/50 µin Min
- Connector: Insulation Displacement Connector (IDC)
Accepts 22~24 AWG Solid Wire

D. Colors: XX: WH-White

2. Termination Cap:

- A. Material: PC, UL 94V-0
- B. Color: Clear

CAT 3 CONNECTING HARDWARE REQUIREMENTS					
Frequency (MHz)	1.0	4.0	8.0	10.0	16.0
NEXT Loss (db)	58.1	46.0	40.0	38.1	34.0
FEXT Loss (db)	N/S	N/S	N/S	N/S	N/S
Return Loss (db)	N/S	N/S	N/S	N/S	N/S
Insertion Loss (db)	0.10	0.20	0.28	0.32	0.40

WIRING DIAGRAM

