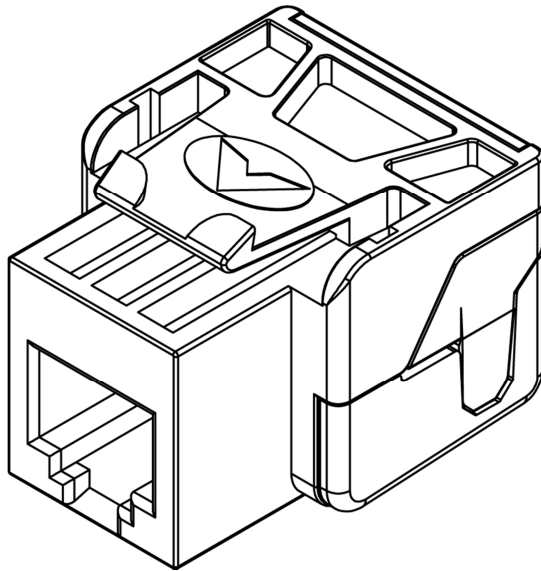


6P6C EZ Voice Modular Connector, 25 Pack



Package Includes:

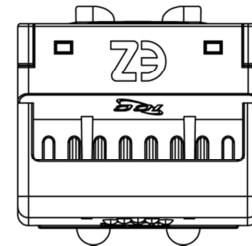
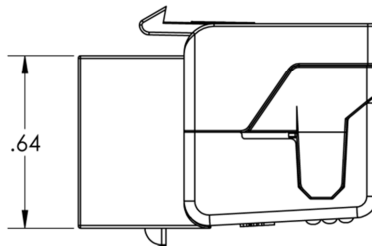
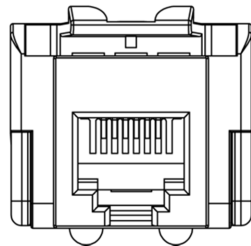
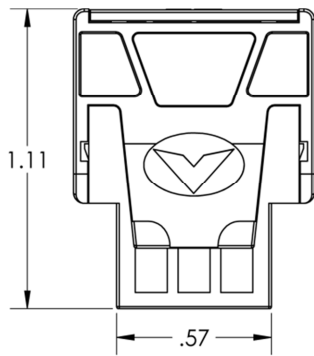
- A. RJ-11 EZ Module Connector, 25 Pieces
- B. Wire Cap, 25 Pieces

Features and Benefits

- Designed for all voice connectivity applications
- Lead frame technology provides maximum performance and uninterrupted signal integrity
- Engineered to provide 110 IDC termination reducing installation time
- One piece termination cap allows for a quick and easy termination
- Includes an integrated USOC/UTP color wiring diagram
- Compatible with most IC107 faceplates, inserts, surface mount boxes, and blank patch panels.*
- Used with ICC JackEasy™ Termination Tool ICACSPDTEH, and 110 punch down tool ICACSPDT00
- Available in ivory and white
- 25 modules packaged in packaging bag with 25 wire caps packaged in a separated bag and included in packaging bag
- ANSI/TIA-568-C and UL 1863 compliant
- Country Of Origin: Taiwan
- TAA Compliant

Note:

Check faceplates, inserts, surface mount boxes, bezel, or blank patch panel part for compatibility



NOTE: UNLESS OTHERWISE SPECIFIED

1. CAT RJ-11 Voice Module:

A. Electrical:

- Current Rating: 1.5 AMPS
- Insulation Resistance: >10 MOHMS
- Voltage Rating: 150 Volts Alternating
- Dielectric Withstanding Voltage: 1000 Volts
RMS, 60 HZ

B. Mechanical:

- Mated Force: 5 LBS Max
- Unmated Force: 5 LBS Max
- Plug Retention Force: 20 LBS Min
- Durability: 750 Cycles

C. Physicals:

- Housing: High Impact, Flame Retardant Plastic, UL 94V-0
- Jack Wiring: Phosphor Bronze Alloy Plated with 50 µin of Gold
over 70~100 µin of Nickel
- Connector: Insulation Displacement Connector (IDC)
Accepts 22~24 AWG Solid Wire

D. Colors: XX: WH-White & IV-Ivory

NEXT: (NEAR END CROSS TALK)	1 MHz > 65 dB
	10 MHz > 50 dB
	16 MHz > 46 dB
	20 MHz > 44 dB
INSERTION LOSS:	
	10 MHz > 0.008 dB
	16 MHz > 0.02 dB

WIRING DIAGRAM

