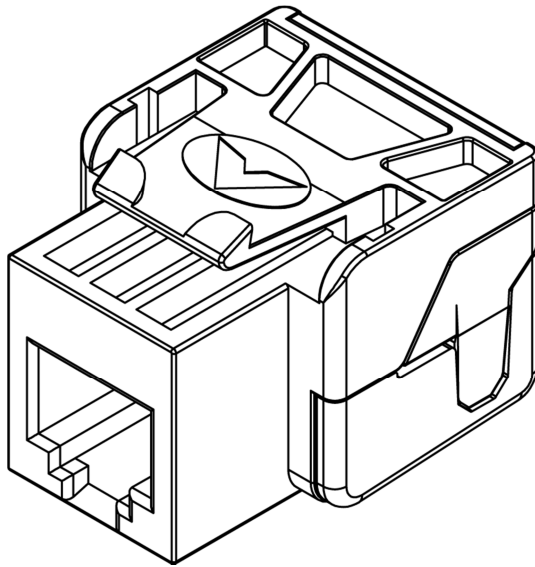


6P6C EZ Voice Modular Connector, 400 Pack, w/ JackEasy



Package Includes:

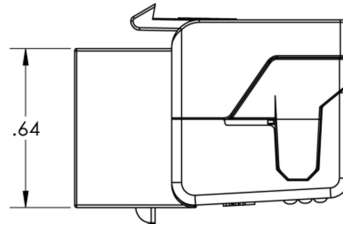
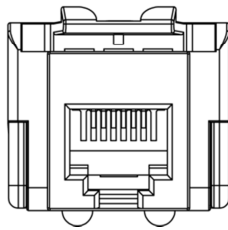
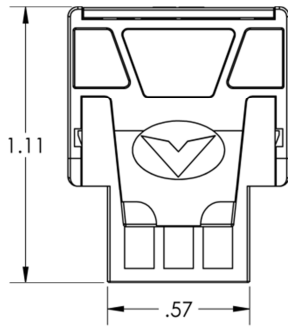
- A. RJ-11 EZ Module, **400 Pieces**
- B. JackEasy™ Termination Tool, **1 Piece**
- C. Installation Instructions, **1 Sheet**

Features and Benefits

- Designed for all voice connectivity applications
- PCB technology provides maximum performance and superior signal quality
- Engineered to provide 110 IDC termination reducing installation time.
- One piece termination cap allows for a quick and easy termination
- Includes an integrated USOC/UTP color wiring diagram
- Compatible with most IC107 faceplates, inserts, surface mount boxes, and blank patch panels*
- Used with ICC Category 6 ICPCSK series patch cords, JackEasy™ Termination Tool ICACSPDTEH, and 110 punch down tool ICACSPDT00
- Available in white
- JackEasy™ Termination Tool is included for convenience-- ICACSPDTEH
- ANSI/TIA-568-C and UL 1863 compliant
- Country Of Origin: Taiwan
- TAA Compliant

Note:

Check faceplates, inserts, surface mount boxes, bezel, or blank patch panel part for compatibility



NOTE: UNLESS OTHERWISE SPECIFIED

1. RJ-11 Voice Module:

A. Electrical:

- Current Rating: 1.5 AMPS
- Voltage Rating: 150 Volts Alternating
- Dielectric Withstanding Voltage: 100 Volts RMS, 60 HZ
- Insulation Resistance: >10 MOHMS

B. Mechanical:

- Mated Force: 5 lbs. Max
- Unmated Force: 5 lbs. Max
- Plug Retention Force: 20 lbs. Min
- Durability: 750 cycles

C. Physicals:

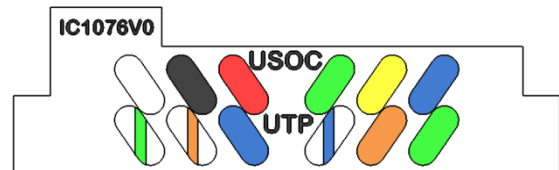
- Housing: High Impact, Flame Retardant Plastic, UL 94V-0
- Contact: Phosphor Bronze Alloy Plated with 50 µin of Gold
over 70~100 µin of Nickel
- Gold Plating: 1.27 Micron/50 µin Min
- Connector: Insulation Displacement Connector (IDC)
Accepts 22~24 AWG Solid Wire

D. Colors: XX: WH-White

2. Termination Cap:

- A. Material: PC, UL 94V-0
- B. Color: Clear

WIRING DIAGRAM



NEXT: (NEAR END CROSS TALK)	1 MHz > 65 dB
	10 MHz > 50 dB
	16 MHz > 46 dB
	20 MHz > 44 dB
INSERTION LOSS:	
	10 MHz > 0.008
	16 MHz > 0.02 dB