

3 GHz Gold Plated F-Type Module, 25 PK

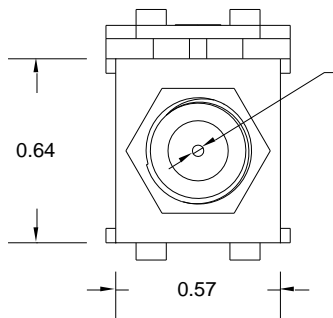
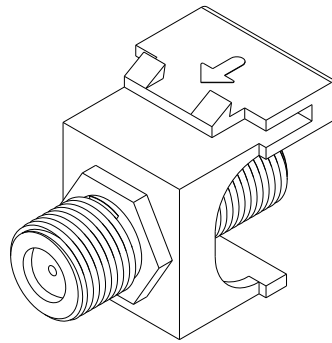
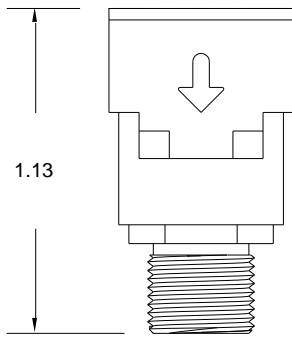


Package Includes

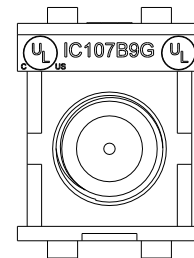
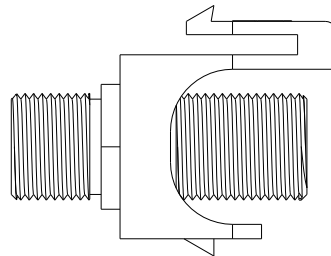
A. 3 GHz Gold Plated F-Type Module, 25 PCS

Features and Benefits

- Gold Plating for improved performance with superior signal quality with minimal noise
- Designed with 3 GHz bandwidth for audio and video applications
- Rear threaded F-Type connectors for secure in-wall connections with both RG-6 and RG59 coaxial cable
- Provides a clean and neat appearance installation
- Compatible with all IC107 faceplates, inserts, surface mount boxes, and blank patch panels
- Compatible with all IC108 furniture faceplates, bezels, and surface mount boxes
- ANSI/TIA-568-C and UL 1863 compliant



Ø0.04



NOTE: UNLESS OTHERWISE SPECIFIED

1. Housing:

- A. Material: ABS, UL 94V-0
- B. Color: White

2. Gold Plated F-Type Connector:

- A. Material: Bronze with 3 Micron Gold Plating
- B. Holding Force > 80 Grams
- C. F-Type Connector Threads: 3/8-32 UNEF-2A

3. Electrical:

- A. Return Loss Of -20 dB MAX
- B. Frequency Range 1.4 ~ 3.0 GHz
- C. Contact Resistance < 10 MOHM
- D. Insertion Loss < 0.3 dB
- E. Insulation Resistance > 5000 MOHM

