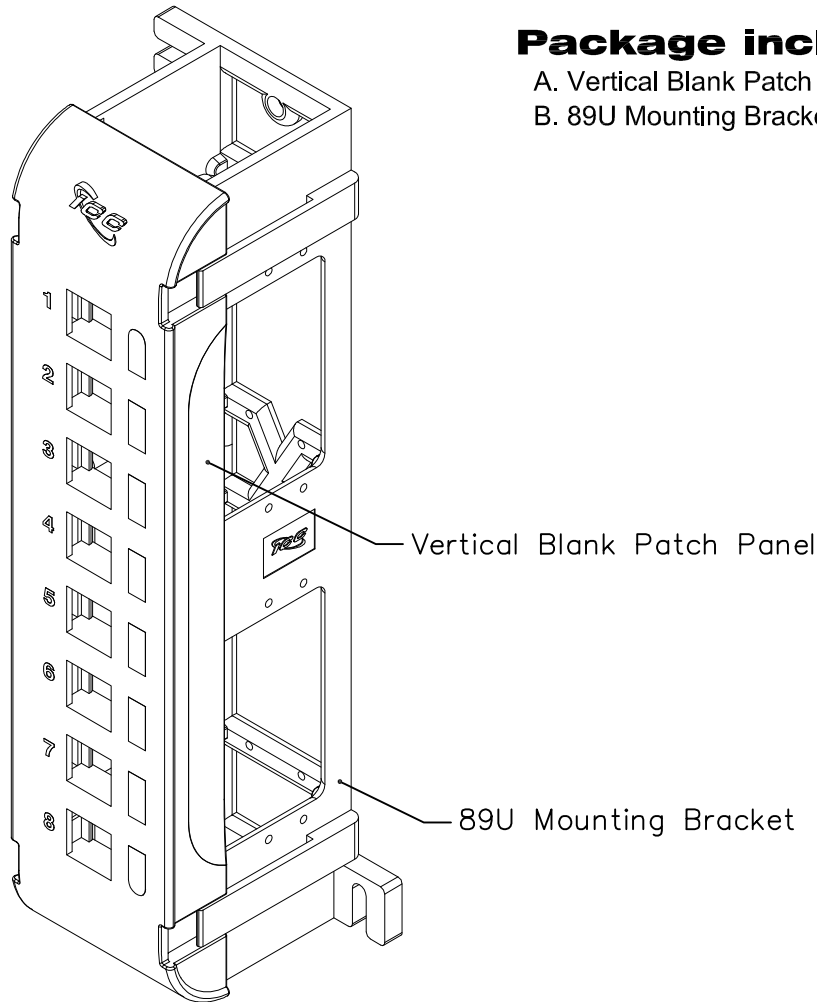


8-Port Flush Vertical Blank Patch Panel

PRODUCT SPECIFICATION



Package includes:

- A. Vertical Blank Patch Panel, 1 pc
- B. 89U Mounting Bracket, 1 pc

Features and Benefits:

- Designed to support the distribution of voice, data, audio, video, and fiber optic needs for commercial or residential applications
- Accommodates a wide variety of easy to snap-in modules, providing configuration flexibility
Accepts all IC107 modules
- Two-piece design; patch panel with 89U mounting bracket
- 10" H x 3.30" W x 2.80" D
- ANSI/TIA-568-C and UL 1863 compliant

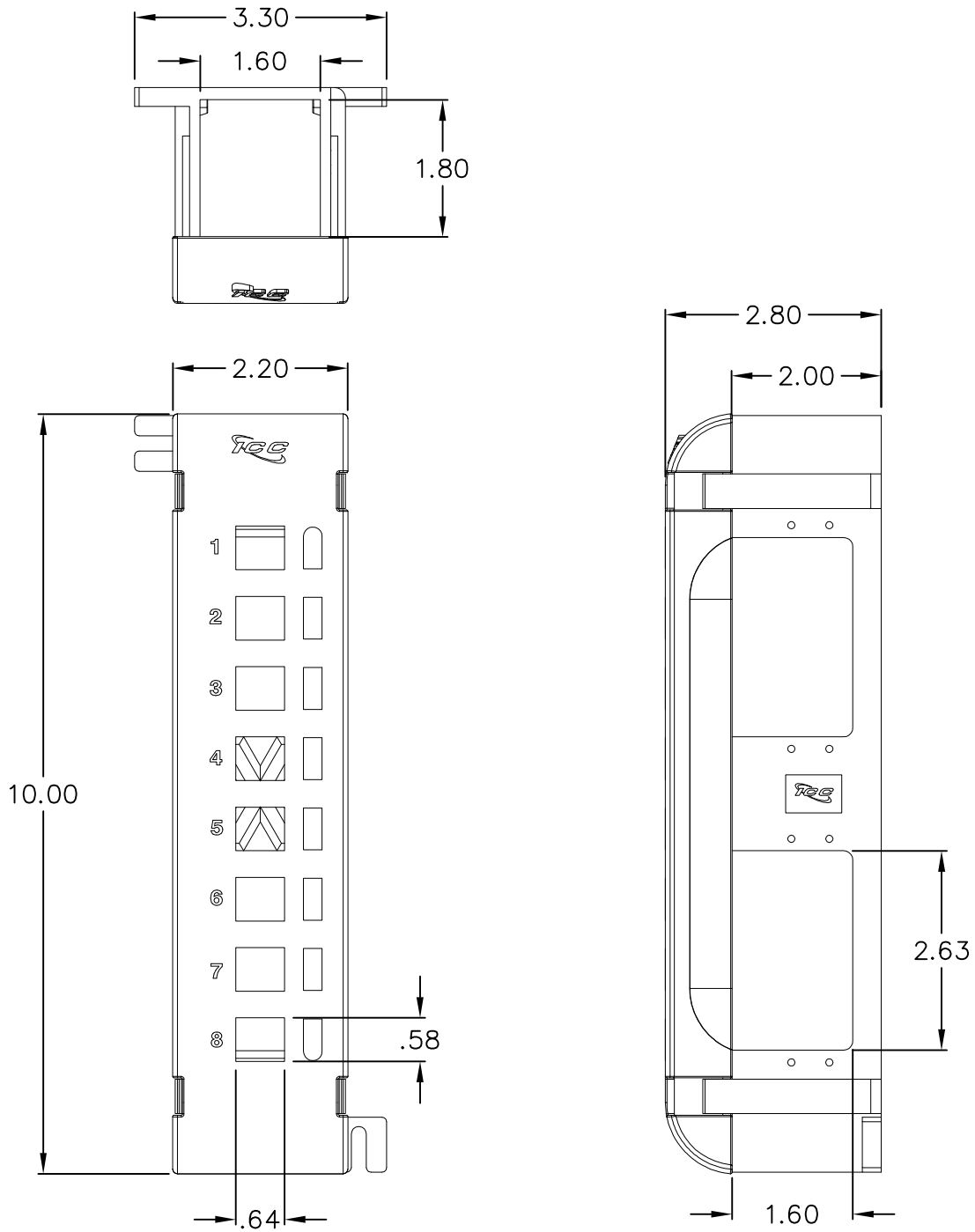
PATCH PANEL, BLANK, VERTICAL, 8-PORT FLUSH

ITEM NO.	IC107BP8VB
DWG NO.	PS107BP8VB

REV.	C
PAGE NO.	1



CUSTOMER CARE / TECHNICAL SUPPORT * CSR@ICC.COM / 888-ASK-4-ICC (275-4422) * 2100 E. Valencia Dr, Suite D, Fullerton, CA 92831 * www.icc.com



NOTE: UNLESS OTHERWISE SPECIFIED

- 1. BLANK PATCH PANEL:
 - A. MATERIAL: ABS+PC, UL 94V-0
 - B. COLOR: BLACK
- 2. 89U MOUNTING BRACKET:
 - A. MATERIAL: ABS, UL 94V-2
 - B. COLOR: BLACK

c UL US FILE NO. 12526

PATCH PANEL, BLANK, VERTICAL, 8-PORT FLUSH			
ITEM NO.	IC107BP8VB		REV. C
DWG NO.	PS107BP8VB		PAGE NO. 2

CUSTOMER CARE / TECHNICAL SUPPORT * CSR@ICC.COM / 888-ASK-4-ICC (275-4422) * 2100 E. Valencia Dr, Suite D, Fullerton, CA 92831 * www.icc.com