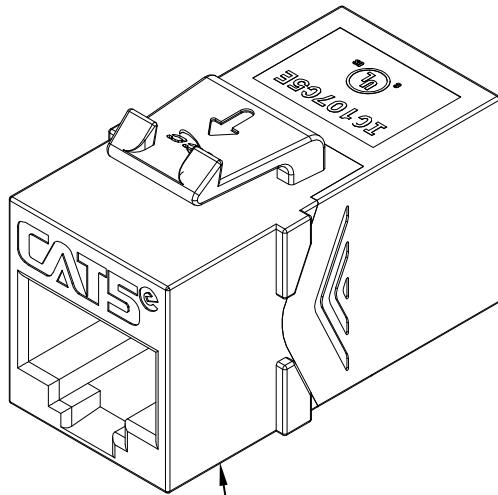


8P8C Category 5e Coupler, 25 PK

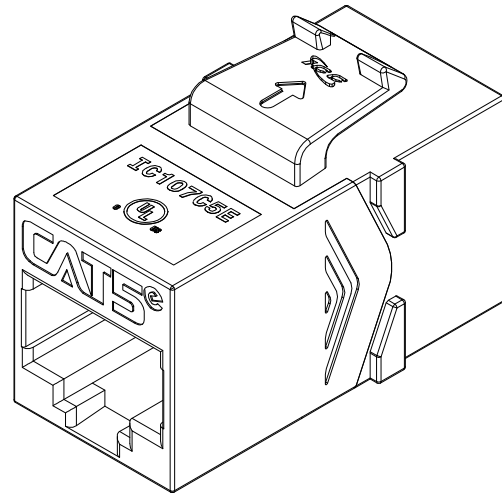
PRODUCT SPECIFICATION

Package includes:

A. 8P8C Category 5e Coupler, 25 pcs



25X CAT 5e Coupler



Features and Benefits:

- PCB technology provides maximum performance and superior signal quality
- Enhanced crosstalk cancellation reduces return loss and improves performance by rejecting noise and unwanted signals
- Exceeds ANSI/TIA/EIA-568-C.2 Category 5e connecting hardware requirements
- Reduced rear footprint allows for greater connectivity density and provides for more port configurations in a smaller area
- Backwards compatible to all lower rated category components
- Compatible with all IC107 faceplates, inserts, surface mount boxes, and blank patch panels
Compatible with all IC108 furniture faceplates, bezels, and surface mount boxes
- Used with ICC Category 5e ICPCSJ and ICPCSC series patch cords
- Available in black

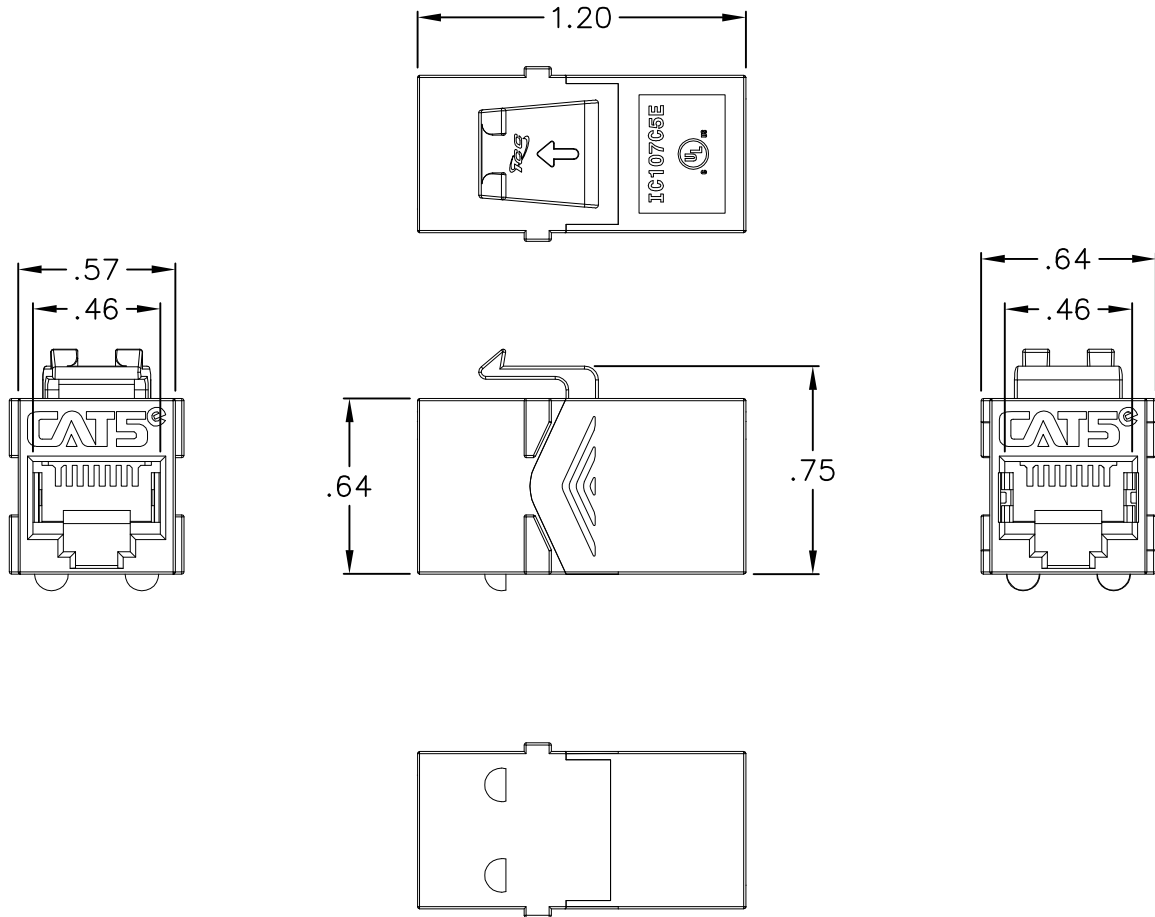
MODULE, COUPLER, CAT 5e 25 PK

ITEM NO. IC107C5CXX
DWG NO. PS107C5C00

REV. A
PAGE NO. 1



CUSTOMER CARE / TECHNICAL SUPPORT * CSR@ICC.COM / 888-ASK-4-ICC (275-4422) * 2100 E. Valencia Dr, Suite D, Fullerton, CA 92831 * www.icc.com



FREQUENCY (MHz)	NEXT (dB)	RETURN LOSS (dB)	ACRF (dB)	INSERTION LOSS (dB)
10.00	47.0	17.0	37.4	7.1
25.00	40.3	16.0	29.4	11.4
62.50	33.6	12.1	27.5	18.6
100.00	30.1	10.0	17.4	24.0

NOTE: UNLESS OTHERWISE SPECIFIED

1. ELECTRICAL:

- A. CURRENT RATING: 1.5 AMPS MAX
- B. VOLTAGE RATING: 150 VOLTS ALTERNATING
- C. DIELECTRIC WITHSTANDING VOLTAGE: 1000 VOLTS RMS, 60 HZ
- D. INSULATION RESISTANCE: > 10 MOHMS


2. MECHANICAL:

- A. MATING FORCE: 5 LBS MAX
- B. UNMATING FORCE: 5 LBS MAX
- C. PLUG RETENTION IN JACK: 20 LBS MIN
- D. DURABILITY: 750 CYCLES

3. MATERIAL & FINISH:

- A. HOUSING: ABS, UL 94V-0
- B. COLOR: BK-BLACK
- C. CONTACT: PHOSPHOR BRONZE GOLD PLATING OVER 100 MICRO INCH NICKEL
- D. GOLD PLATING: 1.27 MICRON/50 MICRO INCH MIN

WIRING DIAGRAM	
PIN	PIN
1	1
2	2
3	3
4	4
5	5
6	6
7	7
8	8

MODULE, COUPLER, CAT 5e 25 PK		 Premium Products <i>Proven Performance</i> <i>Competitive Prices</i>	
ITEM NO.	IC107C5CXX		REV. A
DWG NO.	PS107C5C00		PAGE NO. 2

CUSTOMER CARE / TECHNICAL SUPPORT * CSR@ICC.COM / 888-ASK-4-ICC (275-4422) * 2100 E. Valencia Dr, Suite D, Fullerton, CA 92831 * www.icc.com