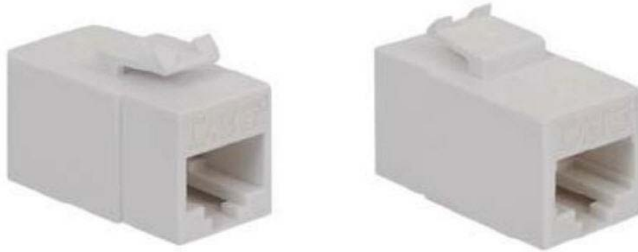


# 8P8C RJ-45 CAT 6a Coupler Module, Pin 1-1

---

## Package Includes

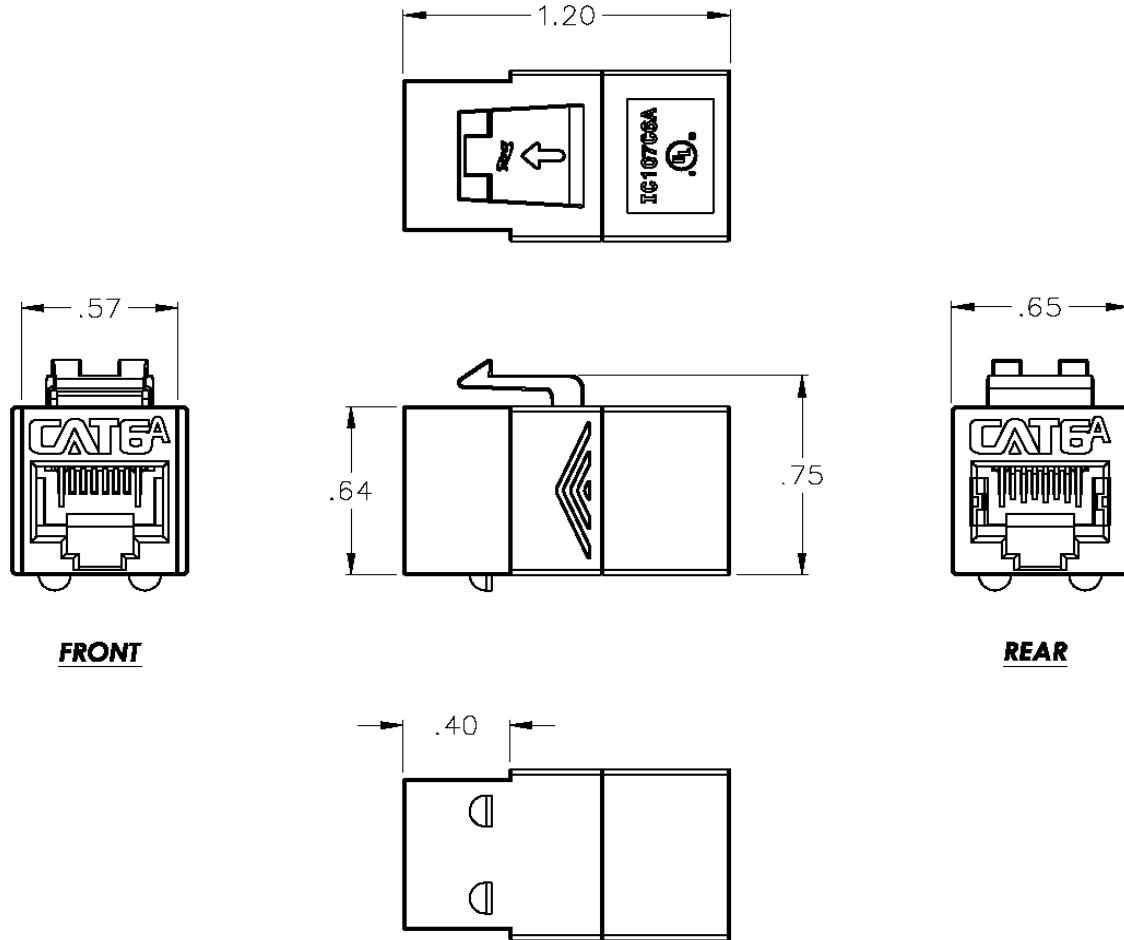
- A. 8P8C RJ-45 CAT 6a Coupler Module Pin 1-1, 1 pc



## Features and Benefits

- Provides pin 1-1 RJ-45 CAT 6a coupling.
- Reduced rear footprint allows for greater connectivity density and provides for more port configurations in a smaller area.
- Compatible with all IC107 faceplates, inserts, surface mount boxes, and blank patch panels.
- Compatible with all IC108 furniture faceplates, bezels, and surface mount boxes.
- Available in black and white.

# Specifications



**FRONT**

**REAR**

**NOTE: UNLESS OTHERWISE SPECIFIED**

1. TRANSMISSION PERFORMANCE:
  - A. MEET ALL REQUIREMENT SPECIFIED IN CHANNEL REQUIREMENT OF: ISO/IEC 11801 , CLASS E, ANSI/TIA-568.2-D, CATEGORY 6A
2. ELECTRICAL:
  - A. ELECTRICAL INSULATION RESISTANCE: 500 MIN. @ 100V D.C
  - B. DIELECTRIC WITHSTANDING VOLTAGE: 1000V D.C. OR A.C. PEAK CONTACT TO CONTACT @ 60HZ FOR 1MINUTE
3. MECHANICAL:
  - A. INSERTION / EXTRACTION LIFE : 750 CYCLES MINIMUM
4. PHYSICAL:
  - A. HOUSING: HIGH-IMPACT, FLAME-RETARDANT PLASTIC, UL 94V-0
  - B. SPRING WIRE: PHOSPHOR BRONZE ALLOY PLATED WITH 50 MICRO-INCH OF GOLD
5. COLOR: IC107CP6ABK, IC107CP6AWH

For warranty information, go online to [icc.com/warranty](http://icc.com/warranty).

Part No: IC107CP6AXX Rev: B

Part No: IC107CP6AXX

Rev: B

Page 2 of 2

| 888-ASK-4ICC | [icc.com](http://icc.com) | [csr@icc.com](mailto:csr@icc.com) |

