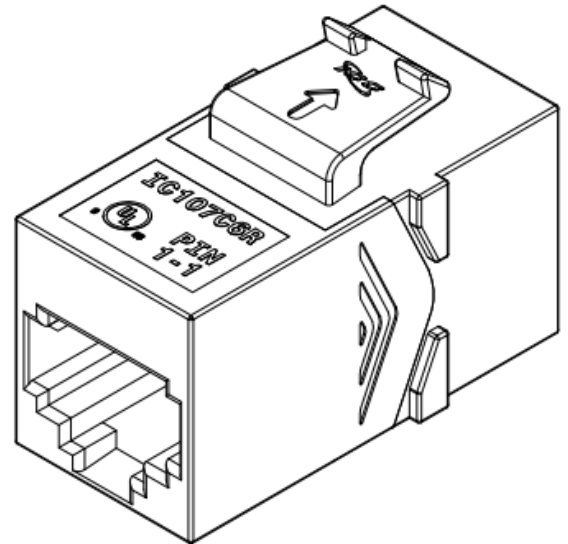
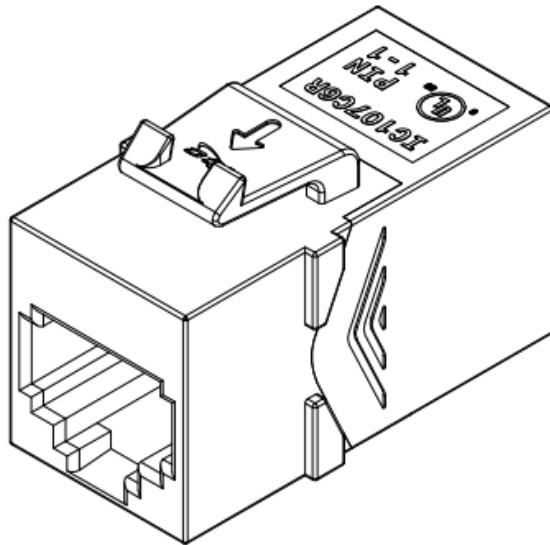


6P6C RJ-11 Coupler Module, Pin 1-1

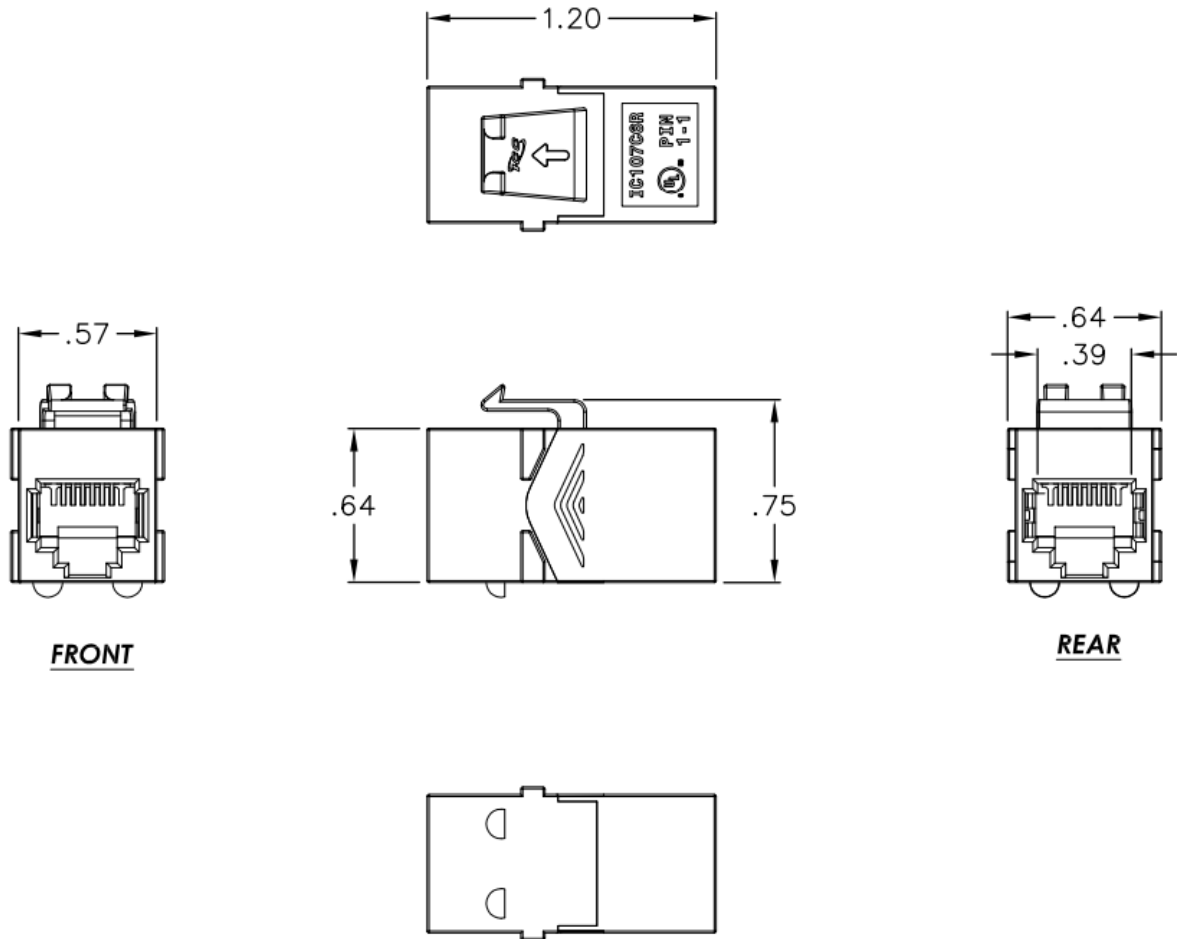
Package Include:

A. Pin 1-1 6P6C RJ-11 Module, 1 Piece



Features and Benefits

- Provides pin 1:1 RJ-11 voice coupling
- Reduced rear footprint allows for greater connectivity density and provides for more port configurations in a smaller area
- Compatible with all IC107 faceplates, inserts, surface mount boxes, and blank patch panels
- Compatible with all IC108 furniture faceplates, bezels, and surface mount boxes
- Available in black, gray, ivory, and white
- ANSI/TIA-568-C and UL1863 compliant
- Country Of Origin: Taiwan
- TAA Compliant



NOTE: UNLESS OTHERWISE SPECIFIED

1. CAT 5e Module Electrical:

- A. Current Rating: 1.5 AMPS MAX
- B. Voltage Rating: 150 Volts AC
- C. Dielectric Withstanding Voltage: 1000 Volts RMS, 60 HZ
- D. Insulation Resistance : > 10 MOHMS

2. Mechanical:

- A. Mating Force: 5 lbs. Max
- B. Unmating Force: 5 lbs. Max
- C. Plug Retention in Jack: 20 lbs. Min
- D. Durability: 750 Cycles

3. Material & Finish:

- A. Housing: ABS UL 94V-0
- B. Contact: Phosphor Bronze Alloy Plated with 50 μm of Gold over 70~100 μm of Nickel
- C. Gold Plating: 1.27 Micron/ 50 Micro inch Min
- D. Colors: XX: BK-BLACK & WH-WHITE

WIRING DIAGRAM	
PIN	PIN
1	1
2	2
3	3
4	4
5	5
6	6