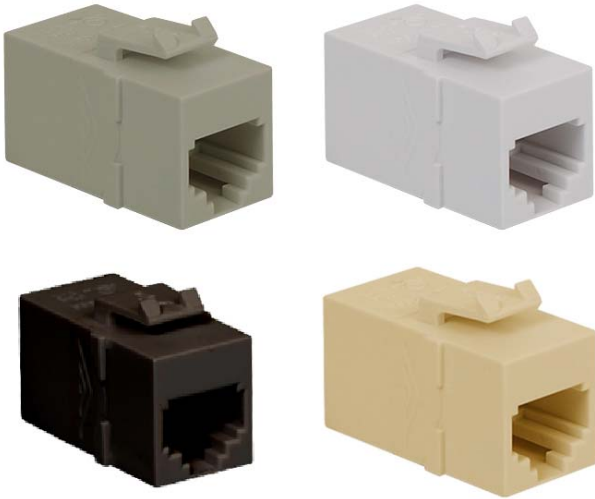


6P6C RJ-11 Coupler Module, Pin 1-1

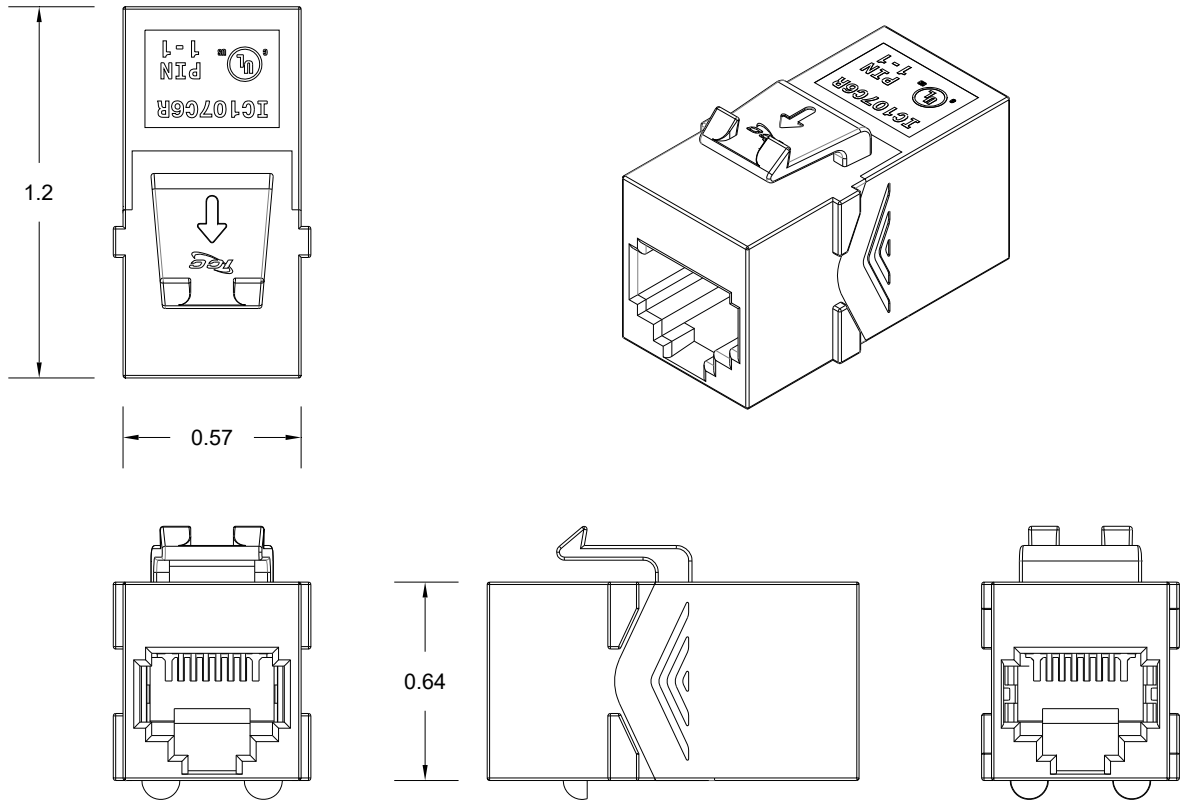
Package Include:

A. Pin 1-1 6P6C RJ-11 Module, **1 Piece**



Features and Benefits

- Provides pin 1:1 RJ-11 voice coupling
- Reduced rear footprint allows for greater connectivity density and provides for more port configuration in a smaller area
- Compatible with all IC107 faceplates, inserts, surface mount boxes, and blank patch panels
- Compatible with all IC108 furniture faceplates, bezels, and surface mount boxes
- Available in black, gray, ivory, and white
- ANSI/TIA-568.2-D and UL1863 compliant



NOTE: UNLESS OTHERWISE SPECIFIED

1. CAT 5e Module:

A. Electrical:

- Current Rating: 1.5 AMPS
- Voltage Rating: 150 Volts AC
- Dielectric Withstanding Voltage: 1000 Volts RMS, 60 HZ
- Insulation Resistance :> 10 MOHMS

B. Mechanical:

- Mating Force: 5 lbs. Max
- Unmating Force: 5 lbs. Max
- Plug Retention in Jack: 20 lbs. Min
- Durability: 750 Cycles

C. Material & Finish:

- Housing: ABS UL 94V-0
- Contact: Phosphor Bronze Alloy Plated with 50 µin of Gold
over 70~100 µin of Nickel
- Gold Plating: 1.27 Micron/ 50 Micro inch Min

D. Colors: XX: BL-Blue, GY-Gray, IV-Ivory, & WH-White

| WIRING DIAGRAM | |
|----------------|-----|
| PIN | PIN |
| 1 | 1 |
| 2 | 2 |
| 3 | 3 |
| 4 | 4 |
| 5 | 5 |
| 6 | 6 |

Part No: IC107C6RXX

Rev: I

Page 2 of 2

| 888-ASK-4ICC | icc.com | csr@icc.com |

