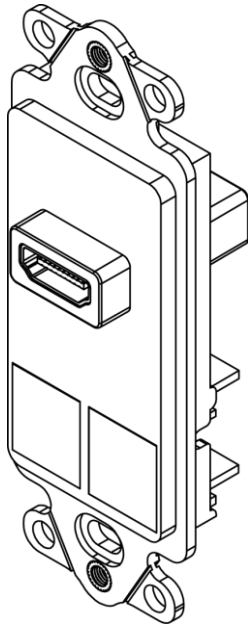


HDMI, 2-Port Decorex Insert

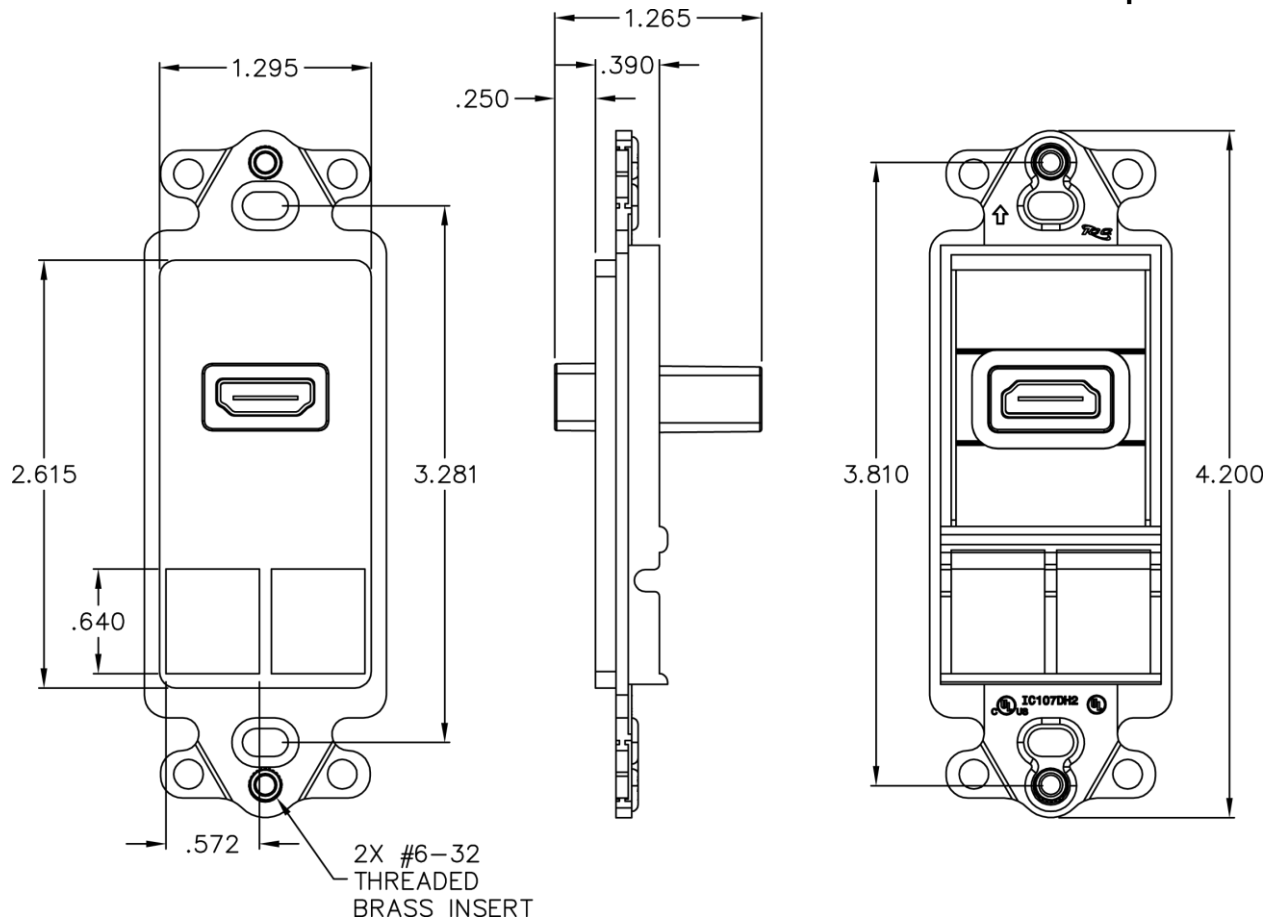


Package Includes

- A. HDMI, 2-Port, Decorex Insert, **1 Piece.**
- B. Blank Module, **2 Pieces.**
- C. #6-32 x 3/4" Pan Head Machine Screw, **2 Pieces.**

Features and Benefits

- 99.99% Oxygen Free Copper conductors with gold plating
- Copper Foil shielding for rejection of EMI and RFI
- Designed to distribute high quality video, audio and other communication needs with contemporary styling for commercial or residential applications
- Fits standard NEMA electrical boxes
- Rugged and durable construction
- Designed for a consistent look with the standard decorator style faceplates
- Accommodates a wide variety of easy to snap-in modules, providing configuration flexibility
- HDMI (High Definition Multimedia Interface) connectors are ideal for high-definition video and audio devices
- HDMI (High Definition Multimedia Interface) are certified and support standard, enhanced and high-definition video (up to 1080p) along with 8 channels of digital audio on a single cable
- Compatible with all IC107 HD modules and IC107 Decorex faceplates
- Supports v1.2, v1.3, v1.4a, 720p, 1080i, 1080p, 3D, and HDCP; typical maximum distance for HDMI cable is 33ft. (10 meters)
- Support 4K ultra HD video



Specifications

- Material: ABS, UL 94V-0
- Color: XX: BK-Black, IV-Ivory, WH-White
- Mechanical
 - Finished: Brass with flush gold plating
 - Plastic Cover: PVC
- Electrical
 - Differential Impedance:
 - Cable Area: 100 Ohms \pm 10
 - 100% open short mis-wire test
 - Contact Resistance: 2 Ohm max.
 - Insulation Resistance: 10 MEGA Ohm (Min).
 - Withstand Voltage: 0.1 Sec. DC 200V
 - Hi-Pot: AC 200V/ 0.0mA
 - Instantaneous Open/Short: 1 Sec.