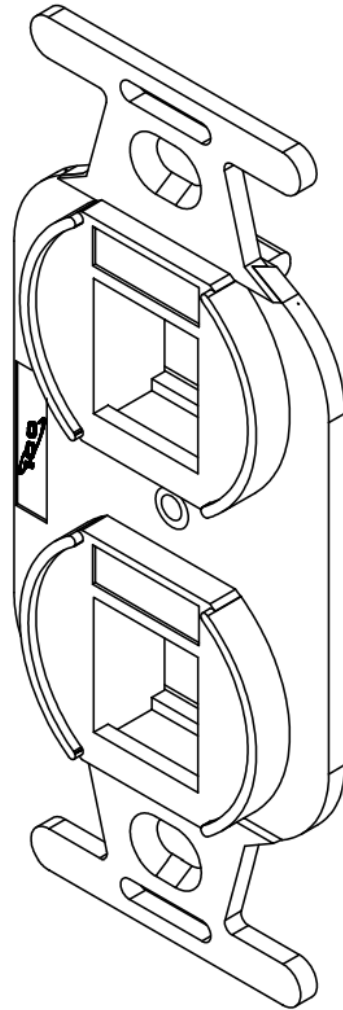


2 Port Electrical Insert



Package Includes:

A. 2 Port Electrical Insert, 1 PC

B. #6-32 x 3/4" Oval Head, Countersink Machine Screw, 2 PCS

Features and Benefits

- Designed to support the distribution of voice, data, and other communication needs to the work area for commercial or residential applications
- Fits standard NEMA electrical boxes
- Rugged and durable construction
- Designed for a consistent look with standard electrical faceplates
- Compatible with all IC106 electrical faceplates
- Accommodates a wide variety of easy to snap-in modules, providing configuration flexibility
- Accepts all IC107 modules
- ANSI/TIA-568-C and UL 1863 compliant
- Country Of Origin: Taiwan
- TAA Compliant

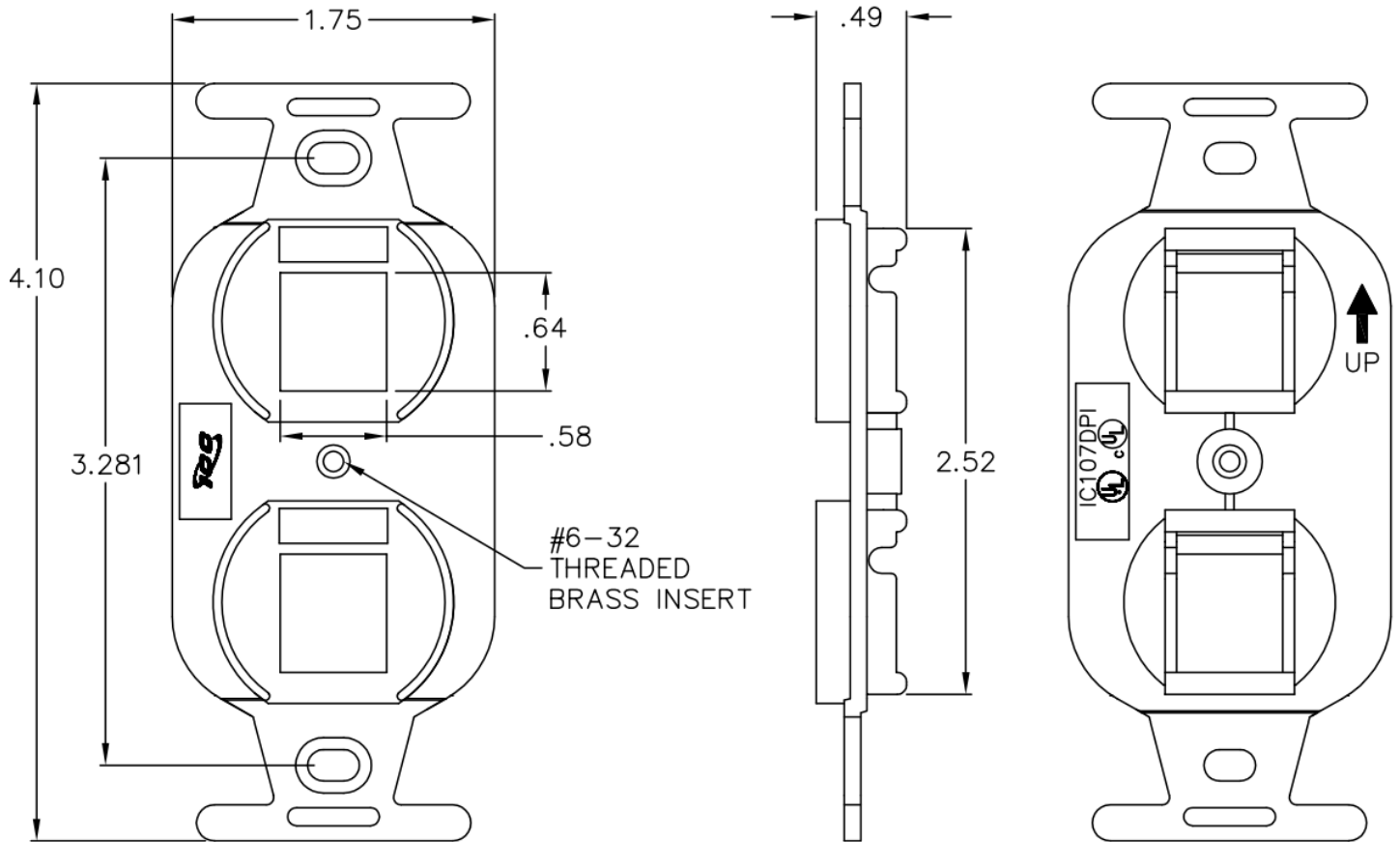
Part No: IC107DPI00

Rev: A

Page 1 of 2

| 888-ASK-4ICC | icc.com | csr@icc.com |





NOTE: UNLESS OTHERWISE SPECIFIED

1 MATERIAL: ABS, UL 94V-0

2 FINISH: GLOSSY

3 COLOR: XX: AL-ALMOND, IV-IVORY & WH-WHITE