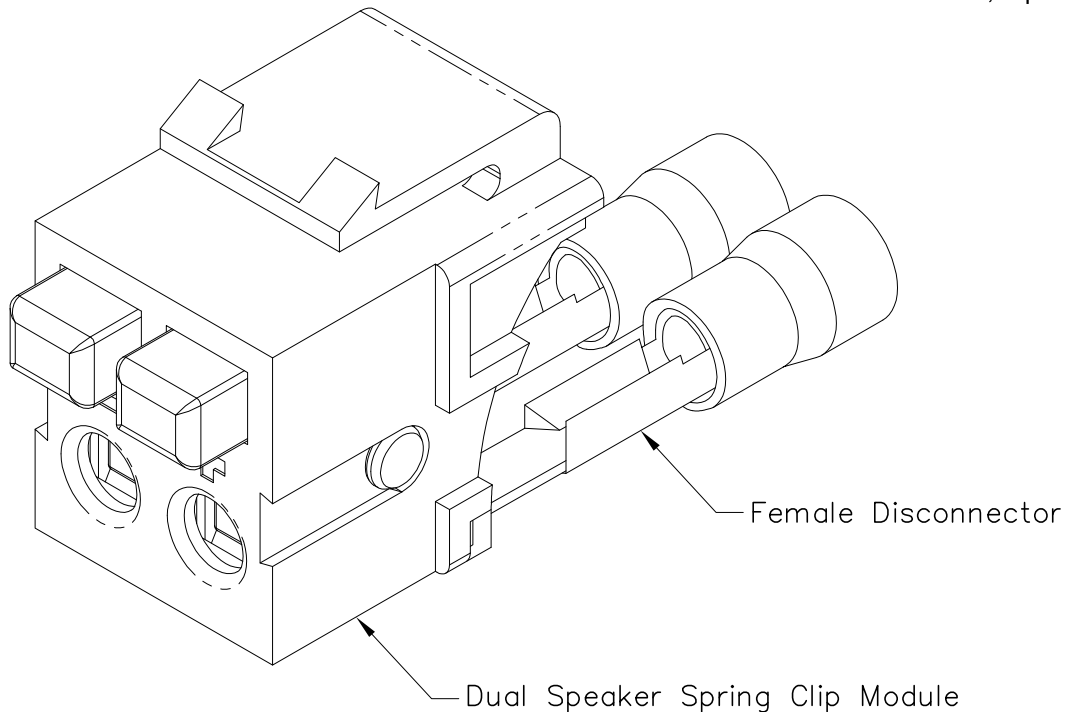


# Dual Speaker Spring Clip Module

## PRODUCT SPECIFICATION

### Package includes:

- A. Dual Speaker Spring Clip Module, 1 pc
- B. Female Disconnecter, 2 pcs



### Features and Benefits:

- Provides exceptional performance
- Reduces faceplate size by 1 to 2 gangs for home theater systems
- Allows an entire 5.1, 6.1, or 7.1 surround sound home theater system to be installed within a 12 or 18 port faceplate depending on type of installation
- Capable of using up to 16 AWG speaker wires for front connection
- Black and red push buttons with + and - signs for correct polarity and easy installation
- Easy installation with solderless crimp-on rear wire connection
- Provides a more finished professional appearance than traditional installations
- Includes two female disconnectors suitable for 16~14 AWG speaker wires
- Compatible with all IC107 faceplates, inserts, surface mount boxes, and blank patch panels
- Compatible with all IC108 furniture faceplates, bezels, and surface mount boxes
- Available in almond, black, ivory, and white
- UL listed

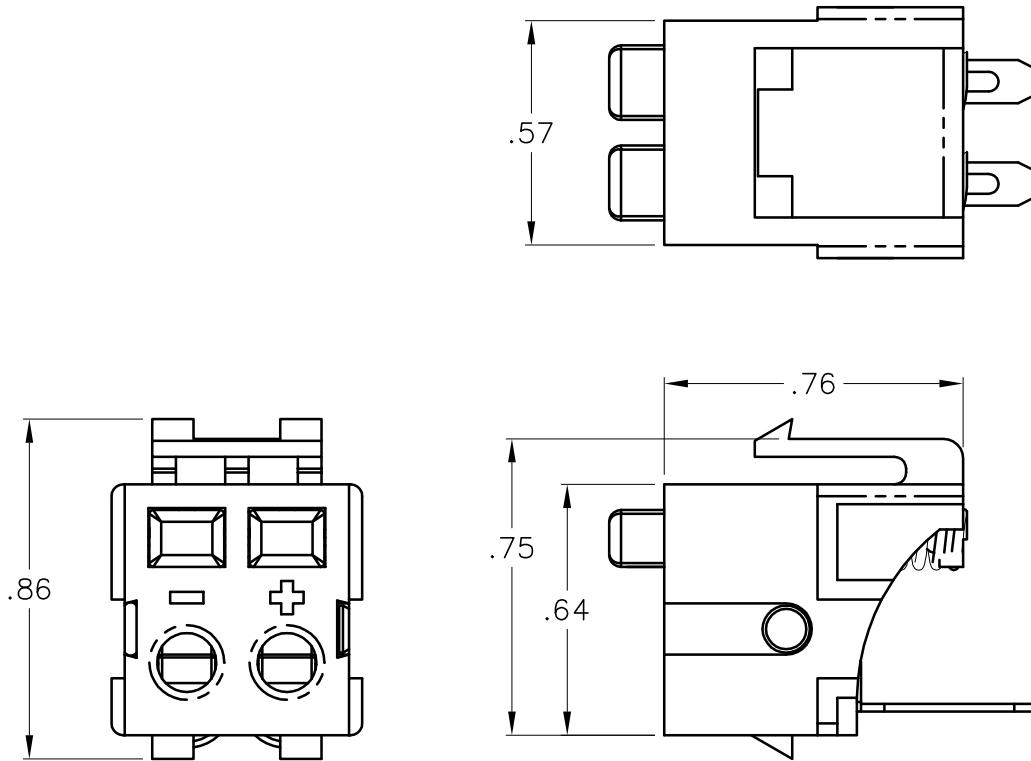
### MODULE, SPEAKER, DUAL

ITEM NO.	IC107DSCXX
DWG NO.	PS107DSC00

REV.	A
PAGE NO.	1



CUSTOMER CARE / TECHNICAL SUPPORT \* CSR@ICC.COM / 888-ASK-4-ICC (275-4422) \* 14700 Alondra Blvd., La Mirada, CA 90638 \* www.icc.com



DUAL SPEAKER SPRING CLIP MODULE

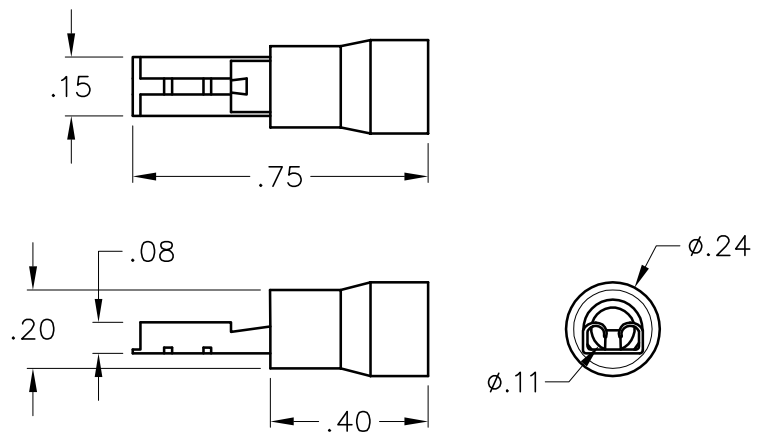
**NOTE: UNLESS OTHERWISE SPECIFIED**

1. ELECTRICAL RATING: 300 VOLTS MAX @ 75°C
2. ELECTRIC CURRENT: 15 AMP MAX
3. MATERIAL:

- A. HOUSING: ABS, UL 94V-0
- B. CAM, SHAFT, PUSH BUTTONS: PC, UL 94V-0
- C. CONTACT: TIN PLATED STEEL
- D. FEMALE DISCONNECTOR:
  - CONNECTOR: TIN PLATED BRASS
  - JACKET: PVC

4. COLOR:

- A. HOUSING: XX: AL-ALMOND, BK-BLACK, IV-IVORY, & WH-WHITE
- B. PUSH BUTTONS: 1 BLACK, 1 RED
- C. FEMALE DISCONNECTOR JACKET: BLUE



FEMALE DISCONNECTOR

UL US FILE NO. 125268

**MODULE, SPEAKER, DUAL**

ITEM NO. IC107DSCXX  
 DWG NO. PS107DSC00

REV. A  
 PAGE NO. 2



CUSTOMER CARE / TECHNICAL SUPPORT \* CSR@ICC.COM / 888-ASK-4-ICC (275-4422) \* 14700 Alondra Blvd., La Mirada, CA 90638 \* www.icc.com