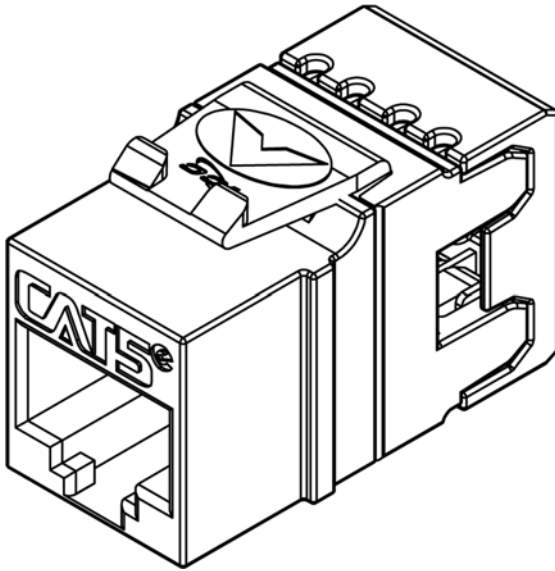


# CAT 5e HD Modular Connector, 25 Pack



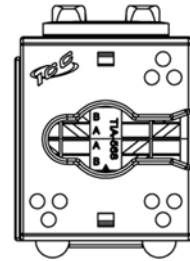
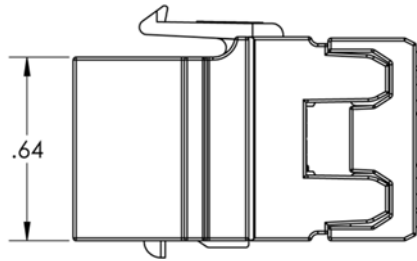
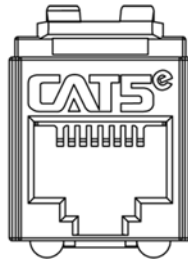
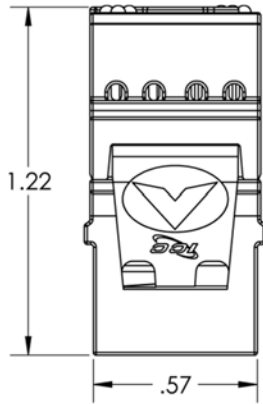
## Package Includes:

**A. CAT 5e HD Module, 25 Pieces**

**B. Wire Cap, 25 Pieces**

## Features and Benefits

- CAT 5e rated connectors provide excellent performance for data networks requiring maximum speed and bandwidth.
- PCB technology provides maximum performance and superior signal quality.
- Enhanced crosstalk cancellation reduces return loss and improves performance by rejecting noise and unwanted signals.
- Exceeds ANSI/TIA-568.2-D requirements for permanent, channel link and component Performances.
- Engineered to provide 110 IDC termination reducing installation time
- Reduced rear footprint allows for greater connectivity density and provides for more port configurations in smaller area
- Includes an integrated TIA-568A/B color wiring diagram
- Backwards compatible to all lower rated category components
- Compatible with all IC107 faceplates, inserts, surface mount boxes, and blank patch panels
- Used with ICC Category 5e ICPCSJ series patch cords, JackEasy™ Termination Tool ICACSPDEH, and 110 punch down tool ICACSPDT00
- Available in black, blue, ivory, orange, red, and white
- UL 1863 compliant



**NOTE: UNLESS OTHERWISE SPECIFIED**

1. CAT 5e Module:

A. Electrical:

- Current Rating: 1.5 AMPS
- Insulation Resistance: 500 MOHMS Min
- Contact Resistance: 20 MOHMS Max
- DC Resistance: 0.1 OHM Max

| CAT 5e Connecting Hardware Requirements |      |      |      |      |      |      |      |       |      |      |
|---|------|------|------|------|------|------|------|-------|------|------|
| Frequency (MHz)                         | 1.0  | 4.0  | 8.0  | 10.0 | 16.0 | 20.0 | 25.0 | 31.25 | 62.5 | 100  |
| NEXT Loss (dB)                          | 65.0 | 65.0 | 64.9 | 63.0 | 58.9 | 57.0 | 55.0 | 53.1  | 47.1 | 43.0 |
| FEXT Loss (dB)                          | 75.1 | 63.1 | 57.0 | 55.1 | 51.0 | 49.1 | 47.1 | 45.2  | 39.2 | 35.1 |
| RETURN Loss (dB)                        | 35.0 | 35.0 | 35.0 | 35.0 | 35.0 | 34.0 | 32.0 | 30.1  | 24.1 | 20.0 |
| Insertion Loss (dB)                     | 0.10 | 0.10 | 0.10 | 0.10 | 0.20 | 0.20 | 0.20 | 0.20  | 0.30 | 0.40 |

B. Mechanical:

- Plug Insertion Life: 750 Cycles Min
- Plug & Jack Contact Force: 100 Grams Min  
Using FCC approved plug
- Plug Retention Force: 50N (11 LBS) for 60s ± 5s
- Temperature: -40° to 150°F (-40° to 68°C)

C. Physicals:

- Housing: High Impact, Flame Retardant Plastic, UL 94V-0
- Jack Wiring: Phosphor Bronze Alloy Plated with 50 µin of Gold  
over 70~100 µin of Nickel
- Connector: Insulation Displacement Connector (IDC)  
Accepts 22~24 AWG Solid Wire

D. Colors: XX: BK-Black, BL-Blue, IV-Ivory, OR-Orange, RD-Red, WH-White

**WIRING DIAGRAM**

