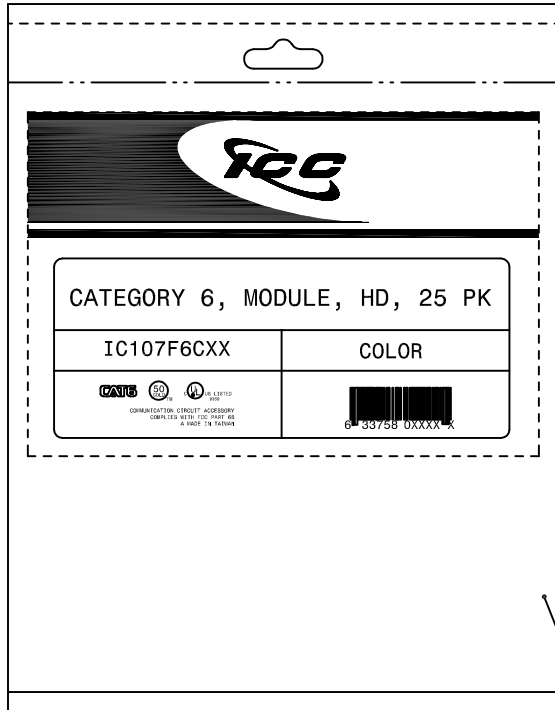


8P8C HD Category 6 Module, 25 PK

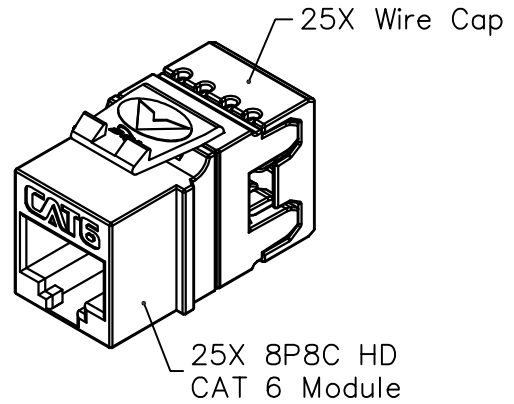
PRODUCT SPECIFICATION



Packaging Bag

Package includes:

- A. 8P8C HD Category 6 Module, 25 pcs
- B. Wire Cap, 25 pcs




25X 8P8C HD
CAT 6 Module

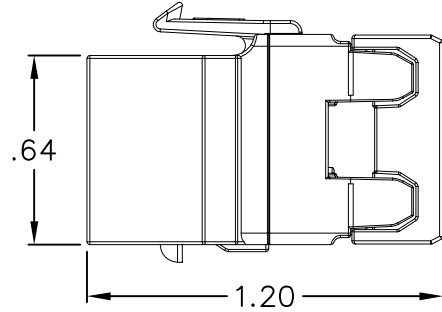
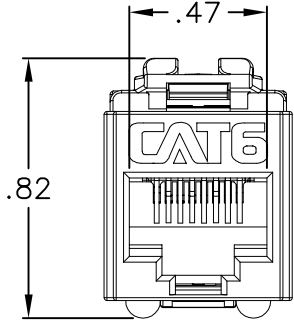
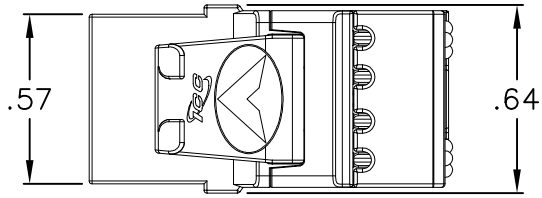
Features and Benefits:

- CAT 6 rated connectors provide excellent performance for data networks requiring maximum speed and bandwidth
- PCB technology provides maximum performance and superior signal quality
- Enhanced crosstalk cancellation reduces return loss and improves performance by rejecting noise and unwanted signals
- Exceeds ANSI/TIA-568-C requirements for permanent, channel link and component performances
- Engineered to provide 110 IDC in-line, in-sequence termination reducing installation time
- Pair-to-Pair wiring for easy termination and best performance
- Includes an integrated TIA-568A/B color wiring diagram
- Backwards compatible to all lower rated category components
- Compatible with all IC107 faceplates, inserts, surface mount boxes, and blank patch panels
- Compatible with all IC108 furniture faceplates, bezels, and surface mount boxes
- Used with ICC Category 6 ICPCSK and ICPCSJ series patch cords and ICC punch down tool ICACSPDT00
- Available in black, blue, ivory, orange, red, and white
- 25 modules packaged in bag with 25 wiring caps packaged in a separated bag
- UL 1863 compliant

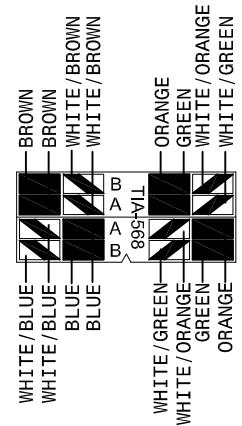
MODULE, CAT 6, HD, 25PK

ITEM NO.	IC107F6CXX	REV.	A	 Premium Products Proven Performance Competitive Prices
DWG NO.	PS107F6C00	PAGE NO.	1	

CUSTOMER CARE / TECHNICAL SUPPORT * CSR@ICC.COM / 888-ASK-4-ICC (275-4422) * 2100 E. Valencia Dr, Suite D, Fullerton, CA 92831 * www.icc.com



WIRING DIAGRAM



NOTE: UNLESS OTHERWISE SPECIFIED

1. CAT 6 MODULE:

A. ELECTRICAL:

- CURRENT RATING: 1.5 AMPS
- INSULATION RESISTANCE: 500 MOHMS MIN
- CONTACT RESISTANCE: 20 MOHMS MAX
- DC RESISTANCE: 0.1 OHM MAX
- TRANSMISSION PERFORMANCE EXCEEDS CATEGORY 6 CONNECTING HARDWARE REQUIREMENTS SPECIFIED IN ANSI/TIA-568-C.2 WHEN USED WITH COMPATIBLE HORIZONTAL CABLE

B. MECHANICAL:

- PLUG INSERTION LIFE: 750 CYCLES MIN
- PLUG & JACK CONTACT FORCE: 100 GRAMS MIN USING FCC APPROVED PLUG
- PLUG RETENTION FORCE: 50N (11 LBS) FOR 60s ± 5s
- TEMPERATURE: -40° TO 150° F (-40° TO 68° C)

C. PHYSICALS:

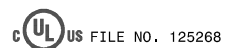
- HOUSING: ABS, UL 94V-0
- JACK WIRING: PHOSPHOR BRONZE ALLOY PLATED WITH 50 µm OF GOLD OVER 70~100 µm OF NICKEL
- CONNECTOR: INSULATION DISPLACEMENT CONNECTOR (IDC) ACCEPTS 22~24 AWG SOLID WIRE

D. COLORS: XX: BK-BLACK, BL-BLUE, IV-IVORY, OR-ORANGE, RD-RED, WH-WHITE,

2. TERMINATION CAP:

- A. MATERIAL: PC, UL 94V-0
- B. COLOR: TRANSPARENT RED

CATEGORY 6 CONNECTING HARDWARE REQUIREMENTS												
FREQUENCY (MHz)	1.0	4.0	8.0	10.0	16.0	20.0	25.0	31.25	62.5	100	200	250
NEXT LOSS (db)	75.0	75.0	75.0	74.0	69.0	68.0	66.0	64.1	58.1	54.0	48.0	46.0
FEXT LOSS (db)	75.0	71.1	65.0	63.1	59.0	57.1	55.1	53.2	47.2	43.1	37.1	35.1
RETURN LOSS (db)	30.0	30.0	30.0	30.0	30.0	30.0	30.0	30.0	28.1	24.0	18.0	16.0
INSERTION LOSS(db)	0.1	0.1	0.1	0.1	0.1	0.1	0.1	0.1	0.2	0.2	0.3	0.3



MODULE, CAT 6, HD, 25PK			
ITEM NO.	IC107F6CXX		REV. A
DWG NO.	PS107F6C00		PAGE NO. 2

CUSTOMER CARE / TECHNICAL SUPPORT * CSR@ICC.COM / 888-ASK-4-ICC (275-4422) * 2100 E. Valencia Dr, Suite D, Fullerton, CA 92831 * www.icc.com