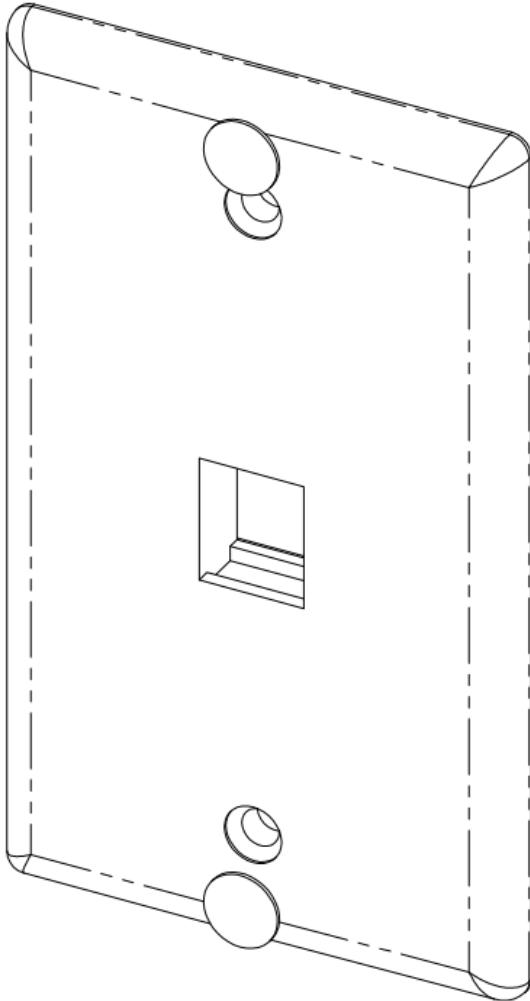


1 Port Flush Telephone Wall Plate

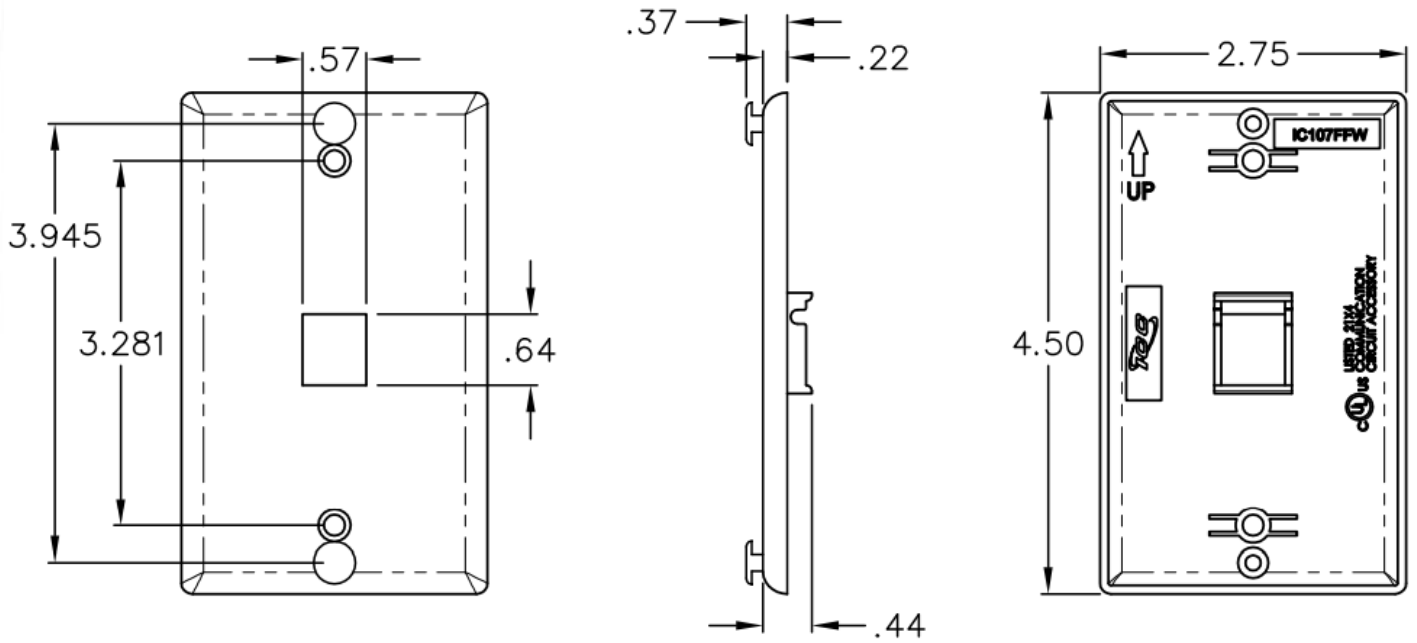


Package Includes:

- A. 1 Port Flush Telephone Wall Plate, 1 PC
- B. Mounting Standoff, 2 PCS
- C. #6-32 x 3/4" Oval Head, Countersink Machine Screw, 2 PCS

Features and Benefits

- Configured to fit standard single gang outlet box
- Designed for commercial or residential applications
- Rugged and durable construction
- Provided with two mounting standoffs for wall mount telephone
- Offers a flush face surface
- Accommodates a wide variety of easy to snap-in modules, providing configuration flexibility
- Accepts all IC107 modules
- Available in ivory, and white
- ANSI/TIA-568-C and UL 1863 compliant
- Country Of Origin: Taiwan
- TAA Compliant



NOTE: UNLESS OTHERWISE SPECIFIED

1. MATERIAL: ABS, UL 94V-0
2. FINISH: TEXTURE
3. COLOR: XX: IV-IVORY & WH-WHITE