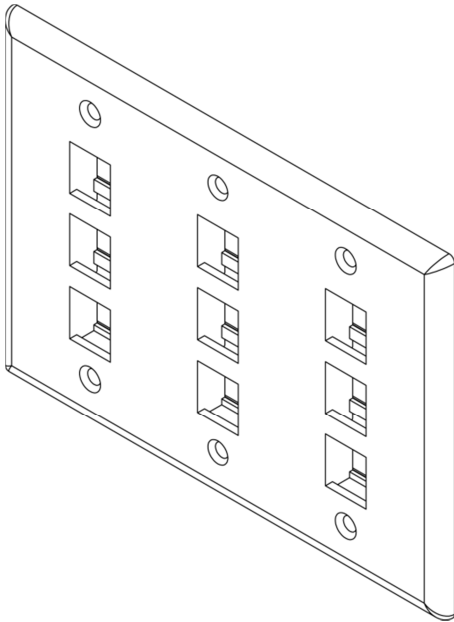


9-Port Triple Gang Flat Faceplate

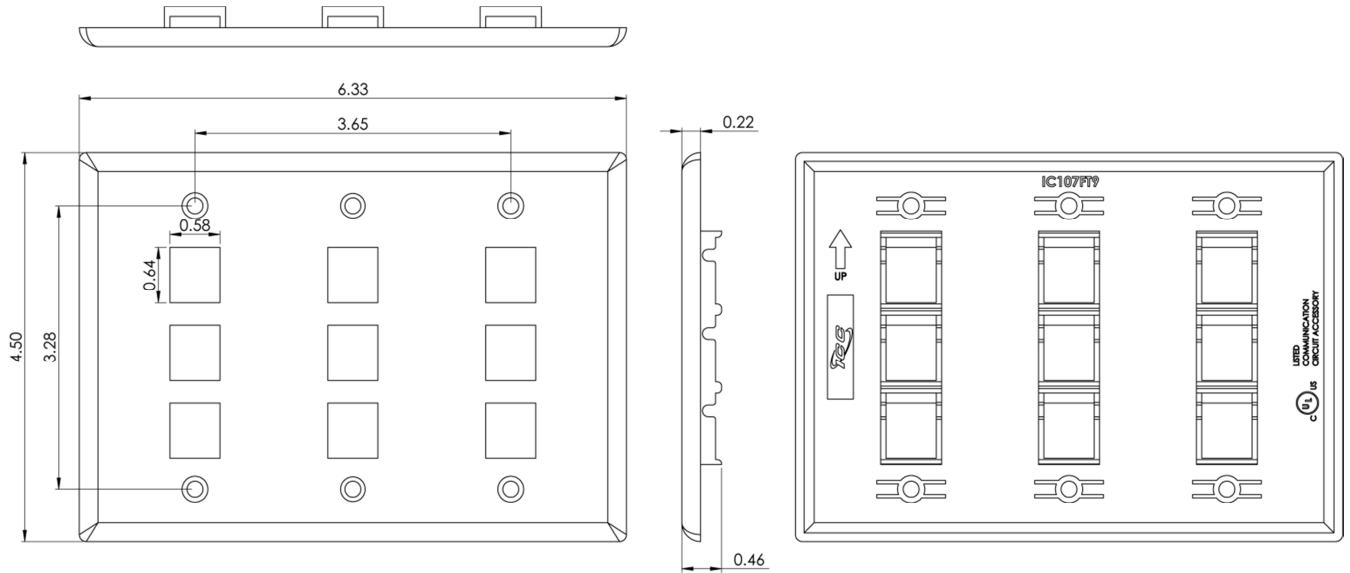


Package Includes:

- A. 9-Port Triple Gang Flat Faceplate, **1 Piece**
- B. #6-32 x 3/4" Oval Head, Countersink, Deep Slotted Drive, Machine Screw, **6 Pieces**

Features and Benefits

- Configured to fit standard triple gang outlet box
- Designed to support the distribution of voice, data, and other communication needs to the work area for commercial or residential applications
- Rugged and durable construction
- Accommodates a wide variety of easy to snap-in modules, providing configuration flexibility
- Accepts all IC107 modules
- ANSI/TIA-568-C and UL 1863 compliant
- Available in Gray, Ivory, and White
- Country Of Origin: Taiwan
- TAA Compliant



Specifications

- Material: ABS, UL94V-0
- Finish: Texture
- Color: XX: GY-GARY, IV-Ivory & WH-White

