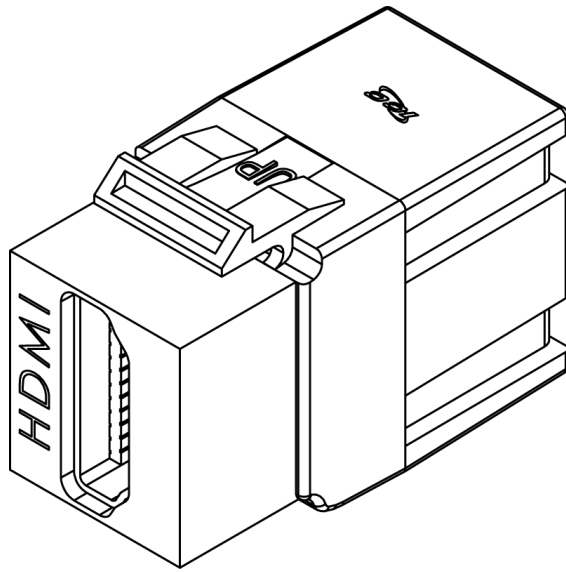


HDMI Female to Female Module

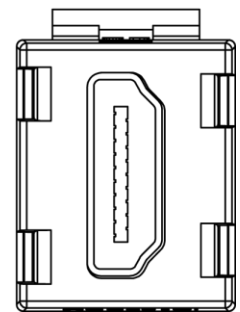
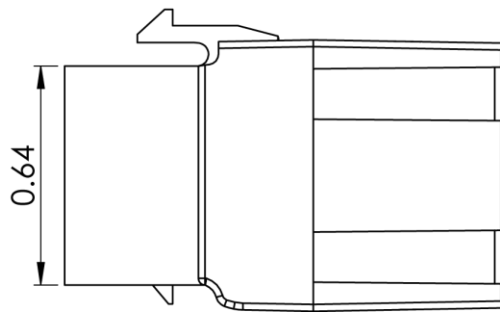
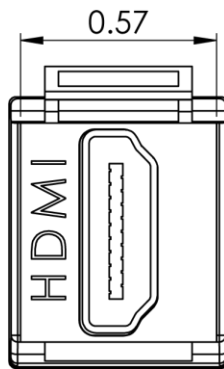
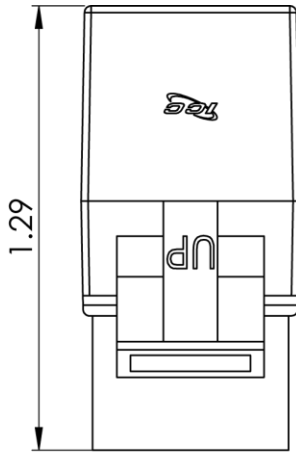


Package Include:

A. HDMI Coupler Module, 1 Piece

Features and Benefits

- 99.99% Oxygen Free Copper conductors with gold plating.
- Copper Foil shielding for rejection of EMI and RFI.
- Designed to distribute high-quality video, audio and other communication needs with contemporary styling for commercial or residential applications.
- HDMI (High Definition Multimedia Interface) connectors are ideal for high-definition video and audio devices.
- Rugged and durable construction.
- Compatible with all ICC classic and decorex style faceplates and inserts.
- Housing available in white.
- HDMI certified and supporting standard, enhanced and high-definition video (up to 1080p) along with 8 channels of digital audio on a single cable.
- Supports v1.2, v1.3, v1.4a, 720p, 1080i, 1080p, 3D, and HDCP; typical maximum distance for HDMI cable is 33ft. (10 meters)
- Support 4K ultra HD video



NOTE: UNLESS OTHERWISE SPECIFIED

1. Material:

- A. Housing: ABS
- B. IDC: Brass with 100 Micro-inch of Tin
- C. Terminals: Gold over Nickel Plated Copper Alloy

2. HDMI Connector:

- A. Storage: -40° to +70°C
- B. Operation: -10° to +60°C
- C. Noncondensing: 93%
- D. 19-Pin Adapter Contact

3. Color:

- A. XX: AL-Almond, BK-Black, IV-Ivory, & WH-White

