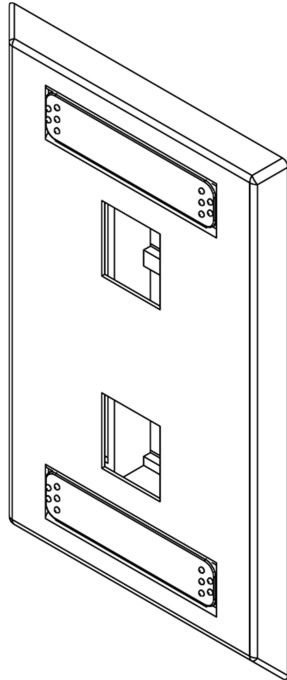


## 2-Port Single Gang Stainless Steel Faceplate

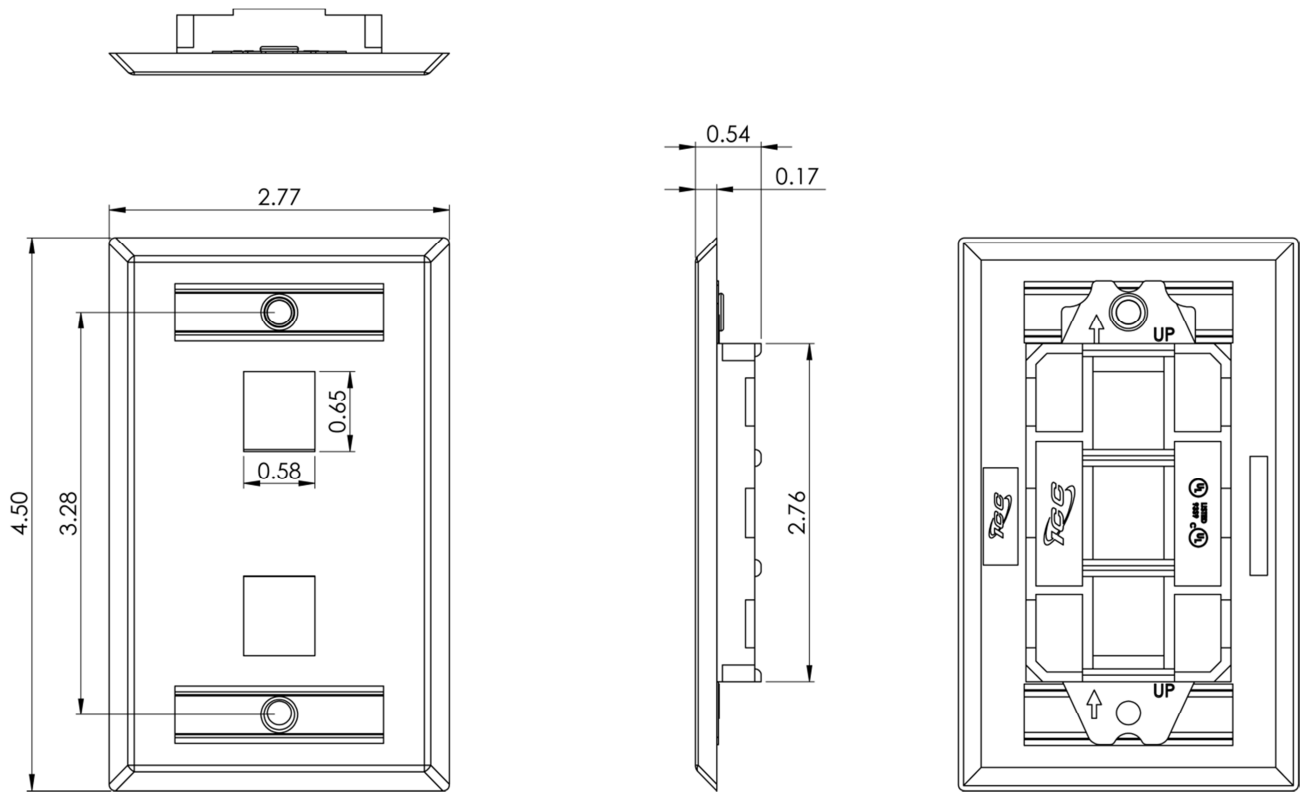


### Package Includes:

- A. 2-Port Single Gang Stainless Steel ID Faceplate, 1 Piece**
- B. Plastic ID Window, 2 Pieces**
- C. Paper ID Label, 2 Pieces**
- D. #6-32 x 3/4" Oval Head, Countersink, Deep Slotted Drive, Machine Screw, 2 Pieces**

### Features and Benefits

- Configured to fit standard single gang outlet box
- Designed to support the distribution of voice, data, and other communication needs to the work area for commercial and residential applications
- Easy station identification with use of enclosed labels
- Accommodates a wide variety of easy to snap-in modules, providing configuration flexibility
- Accepts all IC107 modules
- ANSI/TIA-568-C and UL 1863 compliant
- Country of Origin: Taiwan
- TAA Compliant



**Specifications**

- Material:
  - Faceplate: 22 Gauge, AISI 304 Stainless Steel
  - Retaining Bracket: ABS, UL 94V-0
- Surface Finish: #4B

