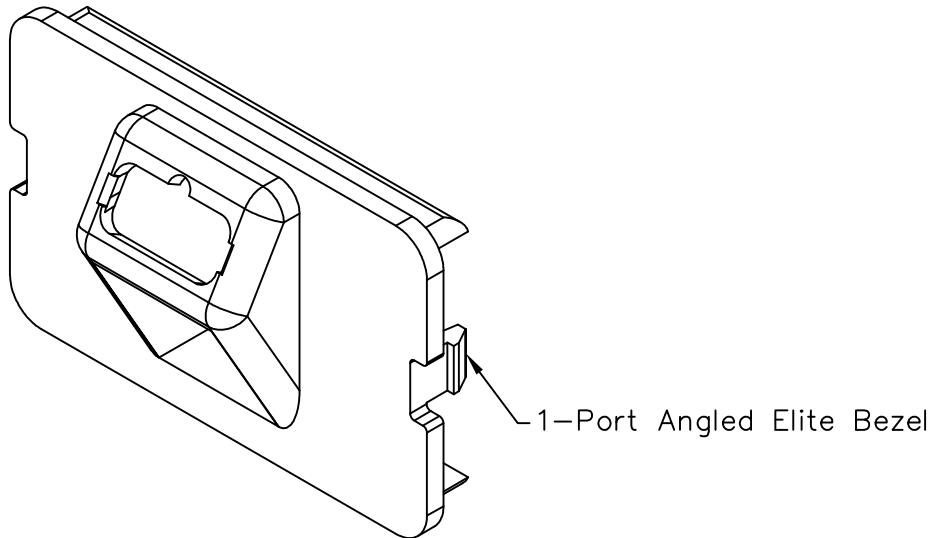


# 1-Port Angled Elite Bezel

## PRODUCT SPECIFICATION


### Package includes:

- A. 1-Port Angled Elite Bezel, 1 pc
- B.  Icon, 1 pc

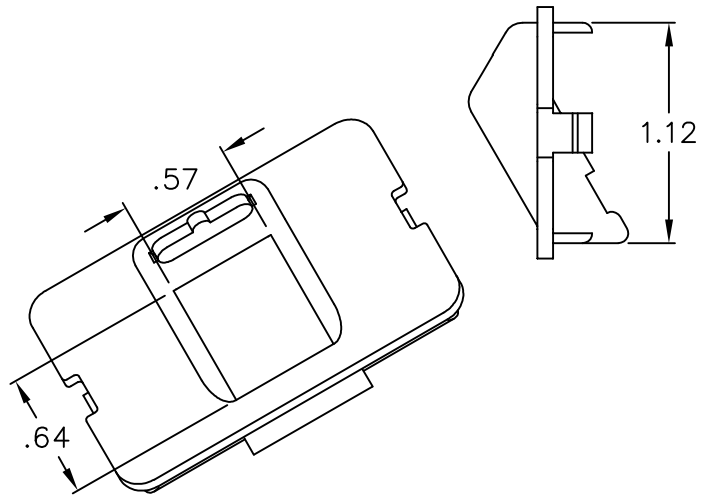
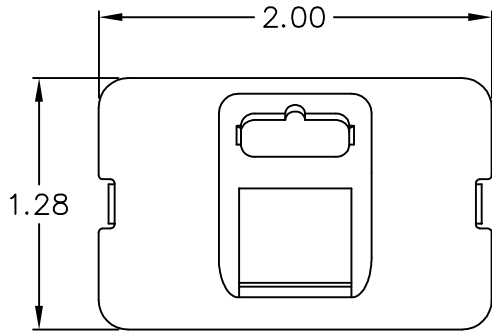
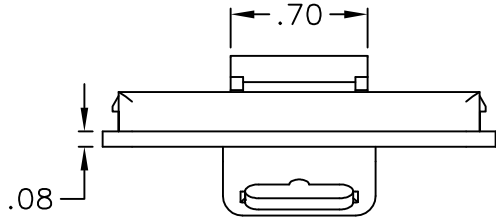
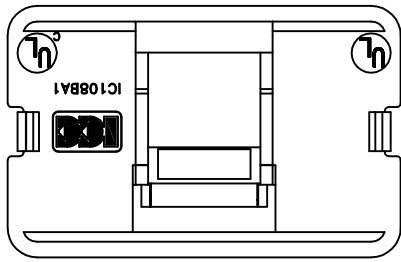


### Features and Benefits:

- Provides a flexible solution for copper and fiber work area connectivity
- Angled design provides low profile connectivity and bend radius capability
- Rugged and durable construction
- Easy system administration with use of enclosed icon
- Compatible with all IC108 faceplates, multi-media boxes/outlets, Euro style box, and blank patch panels
- Accommodates a wide variety of easy to snap-in modules, providing configuration flexibility
- Accepts all IC107 modules allowing for proper routing in tight areas
- Available in ivory and white
- ANSI/TIA-568-C and UL 1863 compliant

<b>BEZEL, ELITE, ANGLED, 1-PORT</b>		 <i>PremiumProducts</i> <i>ProvenPerformance</i> <i>CompetitivePrices</i>	
ITEM NO.	IC108BA1XX		REV. B
DWG NO.	PS108BA100		PAGE NO. 1

CUSTOMER CARE / TECHNICAL SUPPORT \* CSR@ICC.COM / 888-ASK-4-ICC (275-4422) \* 2100 E. Valencia Dr, Suite D, Fullerton, CA 92831 \* www.icc.com




**NOTE: UNLESS OTHERWISE SPECIFIED**

1. HOUSING:

- A. MATERIAL: ABS, UL 94V-0
- B. SURFACE FINISHING: TEXTURE
- C. COLOR: XX: IV-IVORY & WH-WHITE

UL US FILE NO. 125268

<b>BEZEL, ELITE, ANGLED, 1-PORT</b>		 <i>PremiumProducts</i> <i>ProvenPerformance</i> <i>CompetitivePrices</i>	
ITEM NO.	IC108BA1XX		REV. B
DWG NO.	PS108BA100		PAGE NO. 2

CUSTOMER CARE / TECHNICAL SUPPORT \* CSR@ICC.COM / 888-ASK-4-ICC (275-4422) \* 2100 E. Valencia Dr, Suite D, Fullerton, CA 92831 \* www.icc.com