

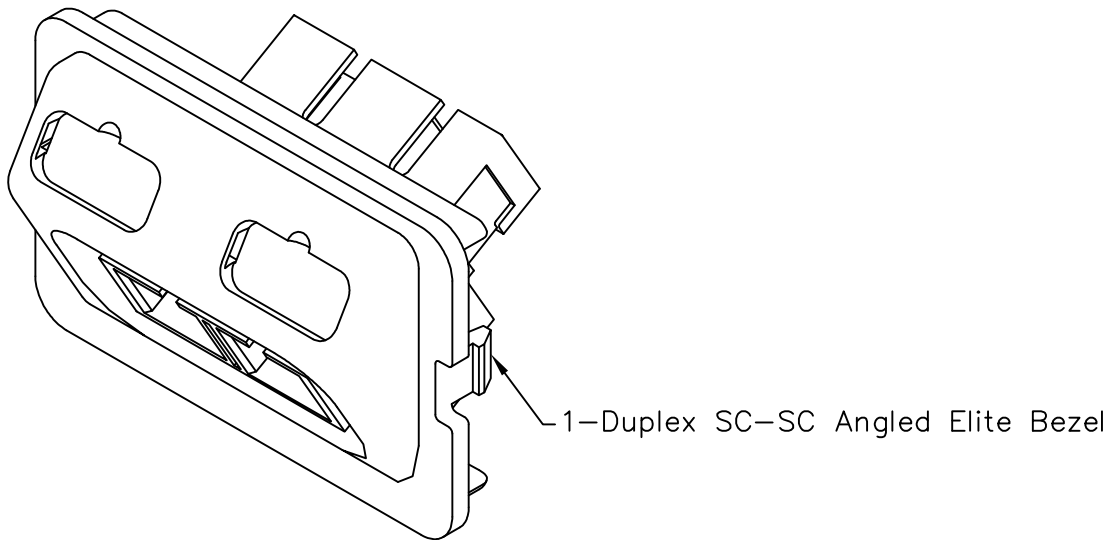


1-Duplex SC-SC Angled Elite Bezel

PRODUCT SPECIFICATION

Package includes:

- A. 1-Duplex SC-SC Angled Elite Bezel, 1 pc
- B. Dust Cap, 4 pcs
- C.  /  Icon, 2 pcs



Features and Benefits:

- Provides a flexible solution for fiber work area connectivity
- Angled design provides low profile connectivity and bend radius capability
- Provides for proper routing of two fiber connections in tight areas
- Rugged and durable construction
- Easy system administration with use of enclosed icons
- Compatible with all IC108 faceplates, multi-media boxes/outlets, Euro style box, and blank patch panels
- Available in ivory and white
- ANSI/TIA-568-C and UL 1863 compliant

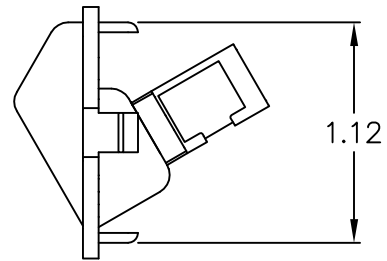
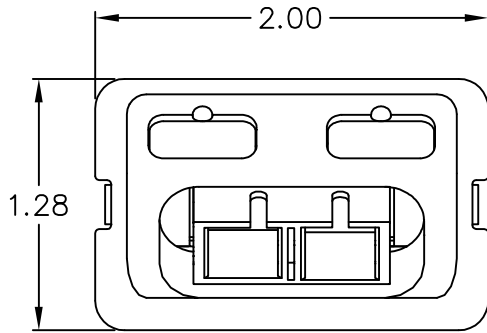
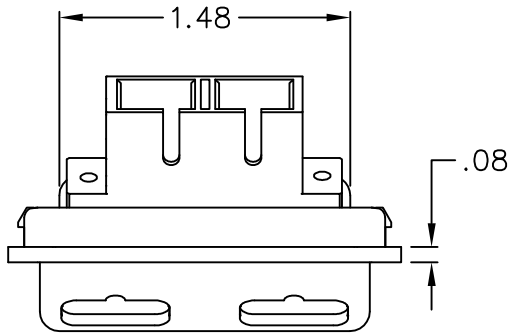
BEZEL, ELITE, ANGLED, 1-DUPLEX SC-SC

| | |
|----------|------------|
| ITEM NO. | IC108BACXX |
| DWG NO. | PS108BAC00 |

| | |
|----------|---|
| REV. | B |
| PAGE NO. | 1 |



CUSTOMER CARE / TECHNICAL SUPPORT * CSR@ICC.COM / 888-ASK-4-ICC (275-4422) * 2100 E. Valencia Dr, Suite D, Fullerton, CA 92831 * www.icc.com



NOTE: UNLESS OTHERWISE SPECIFIED

1. HOUSING:

- A. MATERIAL: ABS, UL 94V-0
- B. SURFACE FINISHING: TEXTURE
- C. COLOR: XX: IV-IVORY & WH-WHITE

2. DUPLEX SC-SC ADAPTER:

- A. MATERIAL:
 - ADAPTER BODY: PLASTIC
 - SLEEVE: PHOSPHOR BRONZE
 - HOLDER: STAINLESS STEEL
 - DUST CAP: PLASTIC

UL US FILE NO. 125268

| | | | |
|---|------------|--|------------|
| BEZEL, ELITE, ANGLED, 1-DUPLEX SC-SC | | | |
| ITEM NO. | IC108BACXX | | REV. B |
| DWG NO. | PS108BAC00 | | PAGE NO. 2 |

CUSTOMER CARE / TECHNICAL SUPPORT * CSR@ICC.COM / 888-ASK-4-ICC (275-4422) * 2100 E. Valencia Dr, Suite D, Fullerton, CA 92831 * www.icc.com