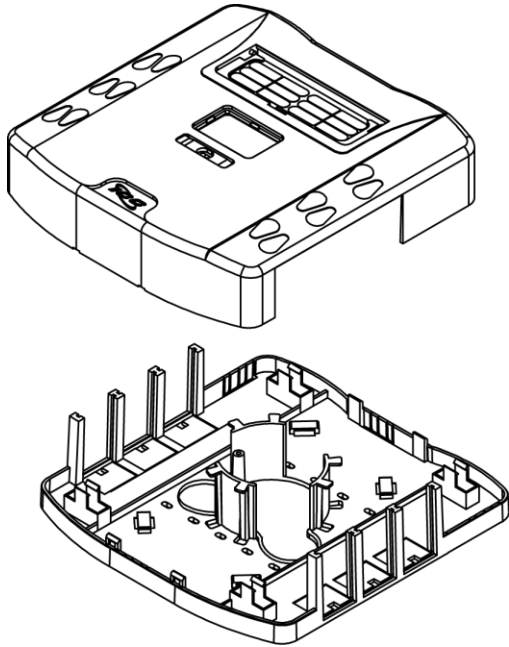


7-Port Multi-Media Box

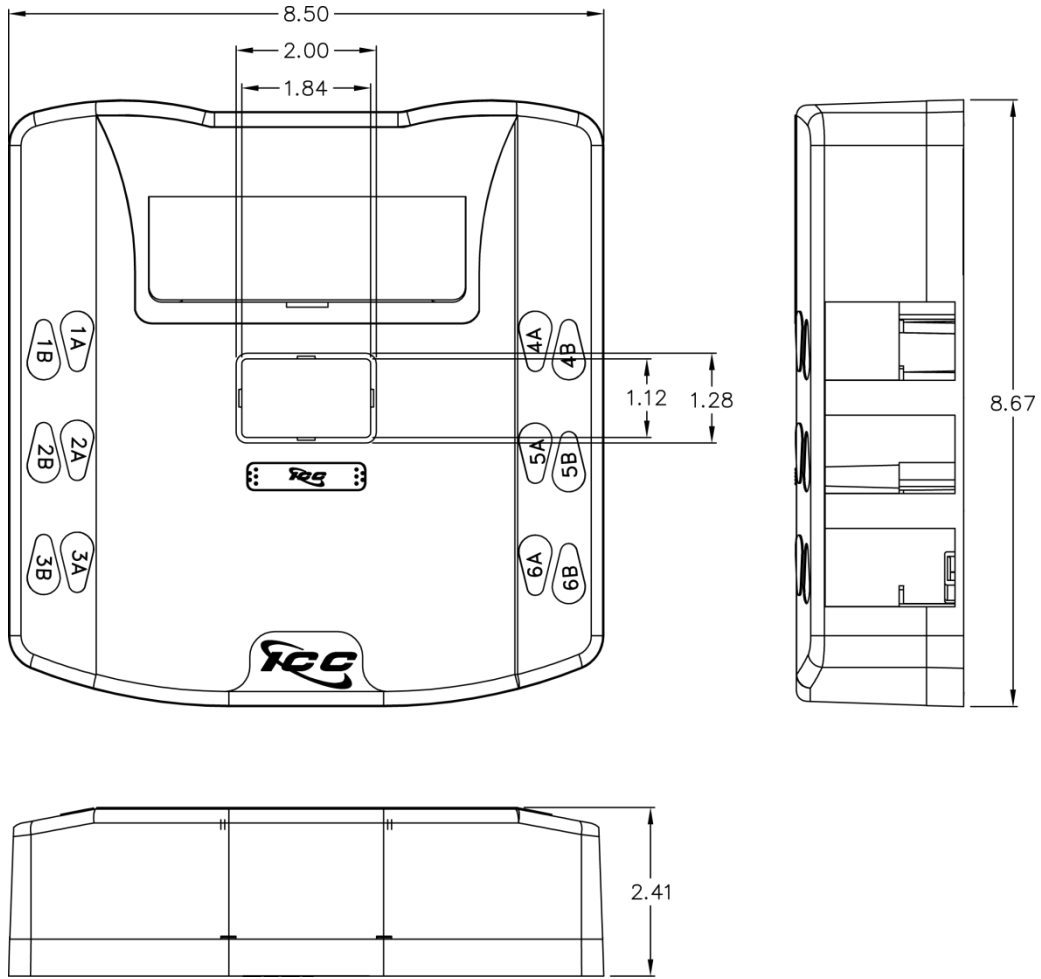


Package Includes

- A. Multi-Media Box Cover, **1 Piece.**
- B. Multi-Media Box Base, **1 Piece.**
- C. ICC Label Cover, **1 Piece**
- D. Clear Label Cover, **1 Piece**
- E. Paper Label, **1 Piece**
- F. Paper Identification Label, **1 Piece**
- G. Double Sided Adhesive Pad, **2 Pieces**
- H. 4" Cable Tie, **4 Pieces**
- I. #6-32 x 3/4" Pan Head, Sharp Point Tapping Screw, **5 Pieces.**
- J. Installation Instructions, **1 Piece**

Features and Benefits

- Multi user telecommunications outlet assembly (MUTOA) allows the distribution of copper or fiber To numerous work areas from one location and accepts up to 7 bezels for a wide range of combinations
- Fits standard NEMA single double gang electrical boxes
- Eliminates the need to modify existing horizontal cable runs when office layouts change
- Multiple mounting options including adhesive backings, screws, and magnets
- Rear cable entry for clean external appearance
- Rugged and durable construction
- Easy station/port identification with use of swing down cover and ID label, enclosed paper label with clear Label cover, and embossed port labels
- Raceway knockouts integrate with raceway systems
- Used with ICRW11, ICRW12, and ICRW13 raceway systems
- Accepts all IC108 bezels
- ANSI/TIA-568-C and UL 1863 compliant



Specifications

- Material: ABS, UL 940V-0
- Surface Finish: Texture
- Color:xx: IV-Ivory, WH-White

Raceway Knockout Charts

