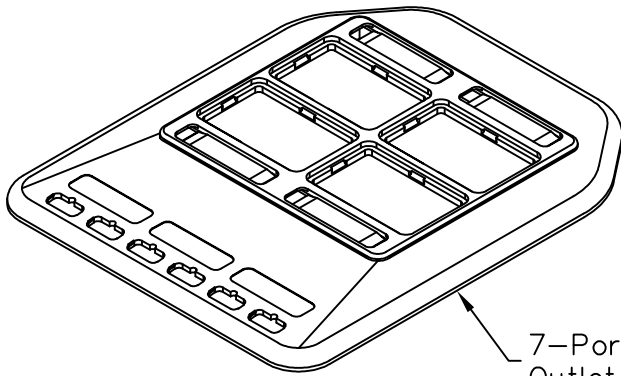
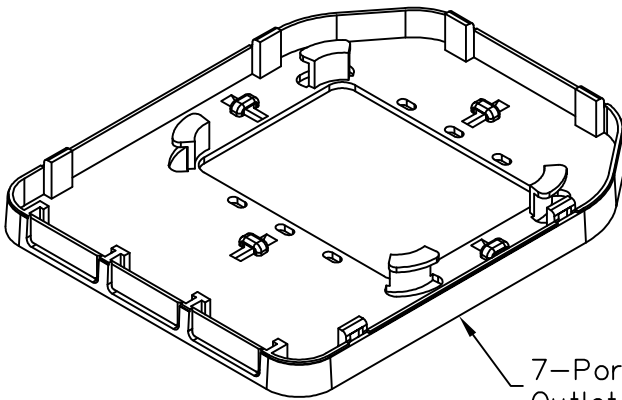


7-Port Double Gang Multi-Media Outlet

PRODUCT SPECIFICATION




7-Port Multi-Media Outlet Cover



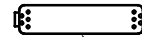
7-Port Multi-Media Outlet Base

Package includes:

- A. 7-Port Multi-Media Outlet Cover, 1 pc
- B. 7-Port Multi-Media Outlet Base, 1 pc
- C.  Icon, 6 pcs
- D. ICC Label Cover, 4 pcs
- E. Clear Label Cover, 4 pcs
- F. Paper Label, 4 pcs
- G. 4" Cable Tie, 4 pcs
- H. #6-32 x 3/4" Pan Head Machine Screw, 4 pcs



ICC Label Cover



Clear Label Cover

Features and Benefits:

- Consolidates multiple fiber and copper inputs and distributes them to multiple workstations
- Configured to fit all standard NEMA single gang electrical boxes
- 4 front and 3 bottom openings distribute up to 28 fiber connections to as many as 14 users
- Front loading bezels provide quick access to the system without disrupting other internal connections
- True modular multimedia system accepts fiber, copper, and coax
- Integrated internal routing posts and cable management system with evenly spaced cable tie anchor points
- Rear cable entry for clean external appearance
- Rugged and durable construction
- Easy station identification with use of enclosed labels protected by clear plastic covers
- Easy system administration with use of enclosed icons
- Accepts all IC108 bezels and ICFOB fiber optic adapter bezels
- Available in gray, ivory, and white
- ANSI/TIA-568-C and UL 1863 compliant

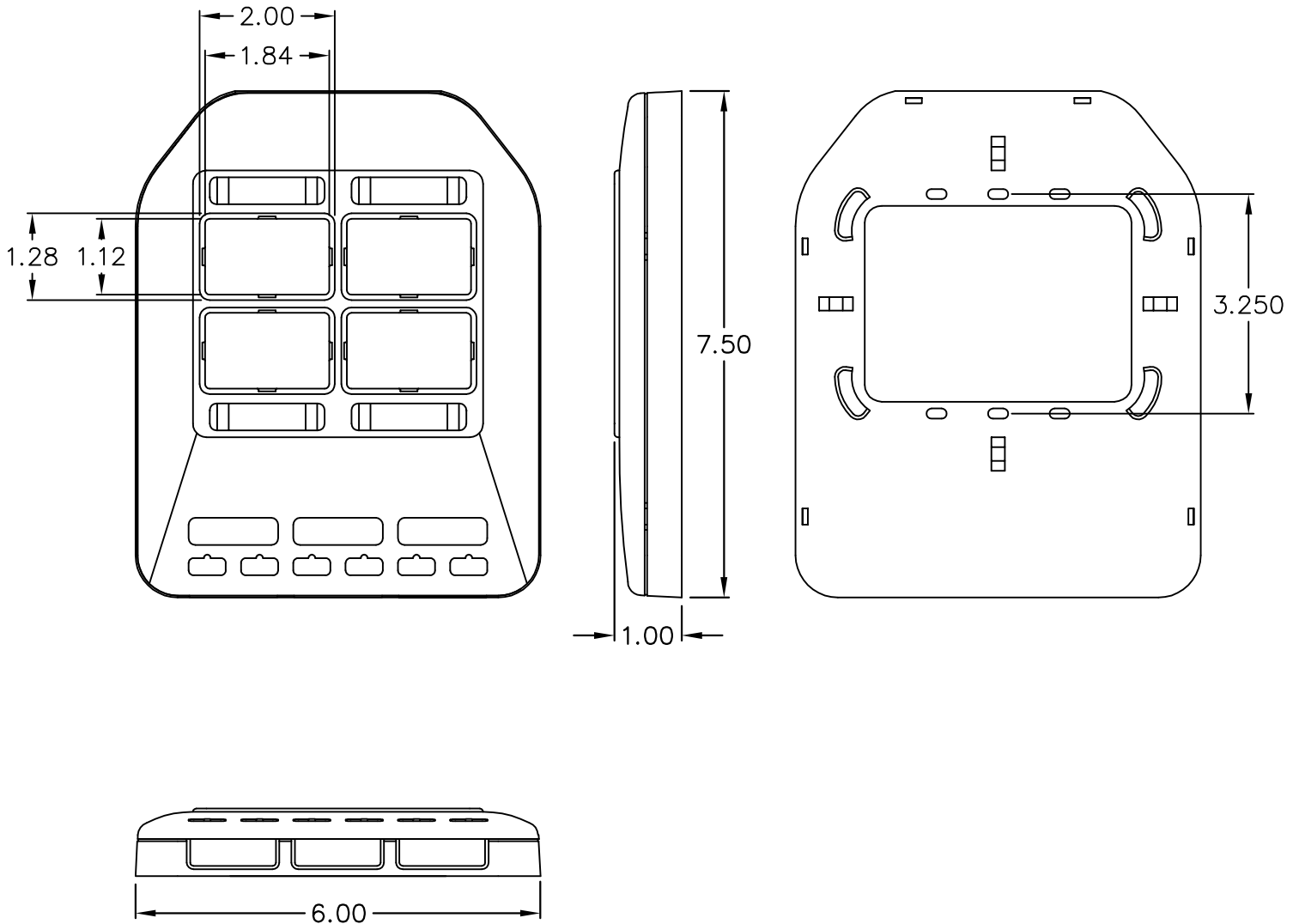
MULTI-MEDIA OUTLET, 2-GANG

ITEM NO. IC108WBDXX
 DWG NO. PS108WBD00

REV. A
 PAGE NO. 1




CUSTOMER CARE / TECHNICAL SUPPORT * CSR@ICC.COM / 888-ASK-4-ICC (275-4422) * 2100 E. Valencia Dr, Suite D, Fullerton, CA 92831 * www.icc.com



NOTE: UNLESS OTHERWISE SPECIFIED

1. MATERIAL: ABS, UL 94V-0
2. SURFACE FINISHING: TEXTURE
3. COLOR: XX: GY- GRAY, IV-IVORY, & WH-WHITE

UL US FILE NO. 125268

MULTI-MEDIA OUTLET, 2-GANG		 <i>PremiumProducts</i> <i>ProvenPerformance</i> <i>CompetitivePrices</i>	
ITEM NO.	IC108WBDXX		REV. A
DWG NO.	PS108WBD00	PAGE NO.	2

CUSTOMER CARE / TECHNICAL SUPPORT * CSR@ICC.COM / 888-ASK-4-ICC (275-4422) * 2100 E. Valencia Dr, Suite D, Fullerton, CA 92831 * www.icc.com