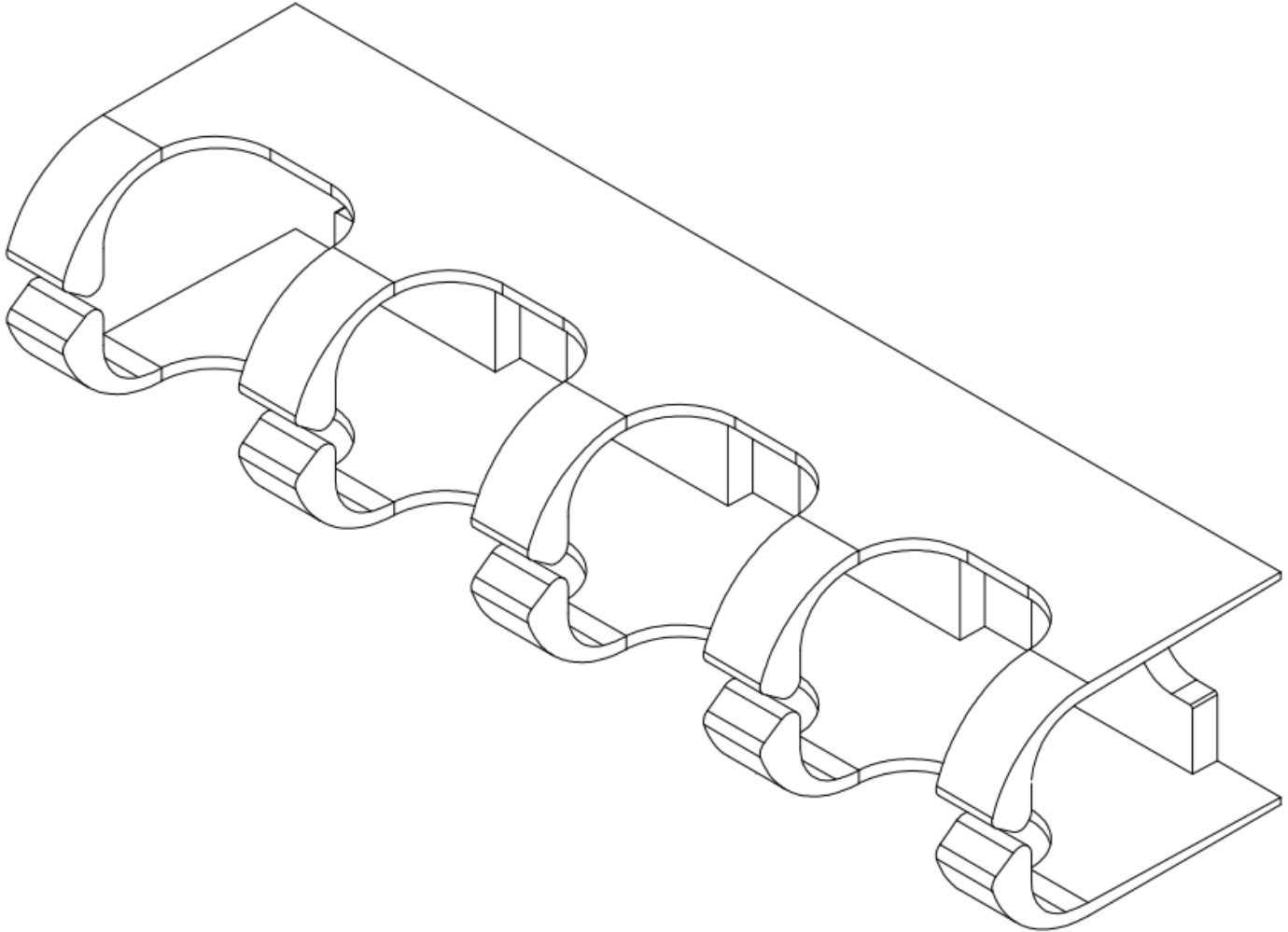


110 Cable Management Block Without Feet

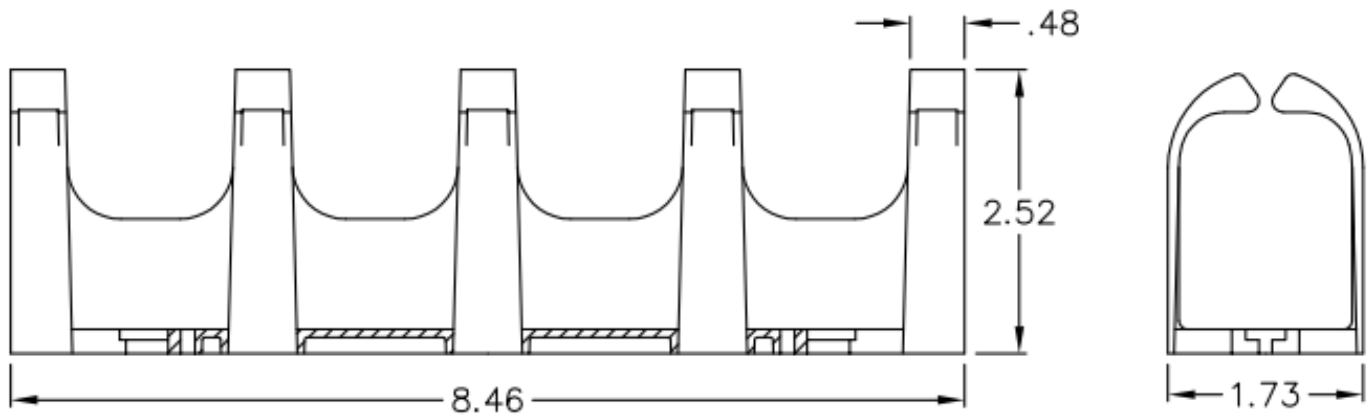
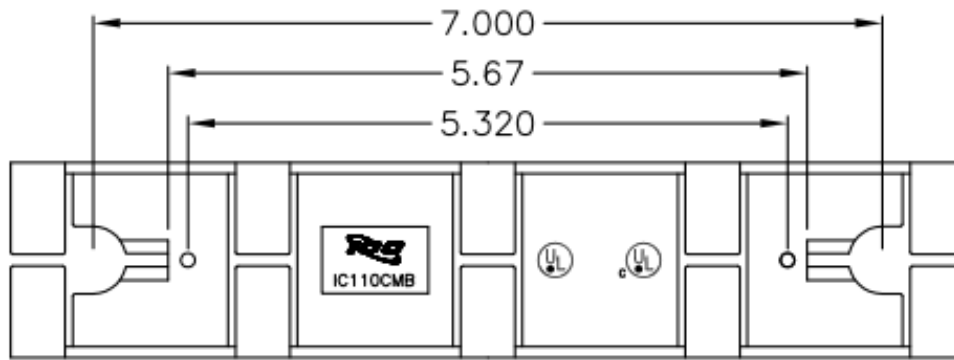
Package Includes:

- A. 110 Cable Management Block Without Feet,
1 PC



Features and Benefits

- Designed for use with 110 systems to enhance patch cord organization while maintaining bend radius
- Used with IC110 wiring blocks
- ANSI/TIA-568-C and UL 1863 compliant
- Country Of Origin: Taiwan
- TAA Compliant



NOTE: UNLESS OTHERWISE SPECIFIED

1. MATERIAL: ABS, UL 94V-0
2. COLOR: IVORY