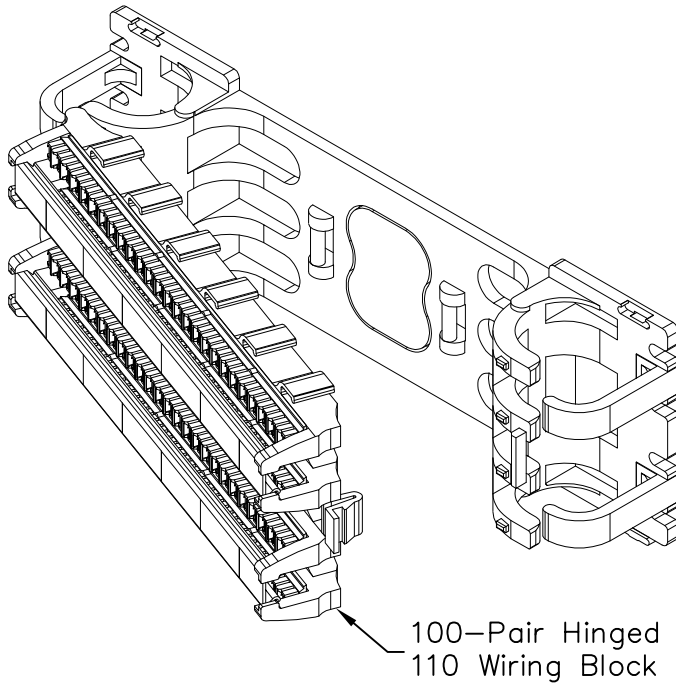


# 100-Pair Hinged 110 Wiring Block Kit

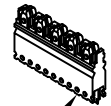
## PRODUCT SPECIFICATION

### Package includes:

- A. 100-Pair Hinged 110 Wiring Block, 1 pc
- B. 4-Pair 110 Connecting Block, 20 pcs
- C. 5-Pair 110 Connecting Block, 4 pcs
- D. Label Holder, 2 pcs
- E. Designation Label, 2 pcs
- F. Cable Organizer, 4 pcs
- G. 6" Cable Tie, 4 pcs
- H. #4 x 3/4" Truss Head Tapping Screw, 4 pcs
- I. Installation Instructions, 1 sheet



20X 4-Pair 110 Connecting Block



4X 5-Pair 110 Connecting Block

### Features and Benefits:

- High density wall mounted cross connect system designed for voice and data applications
- Hinged design allows block to swing open for easy access behind the block without removing the block from the wall
- Exceeds ANSI/TIA-568-C requirements for permanent, channel link and component performances
- Easy system administration with designation labels and label holders
- Used with IC110 cable management blocks, ICACSPDT00 and ICACSPDT05 110 punch down tools
- Installation instructions #MSR-0347 included
- UL 1863 compliant

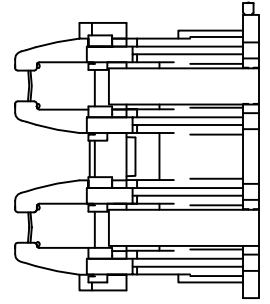
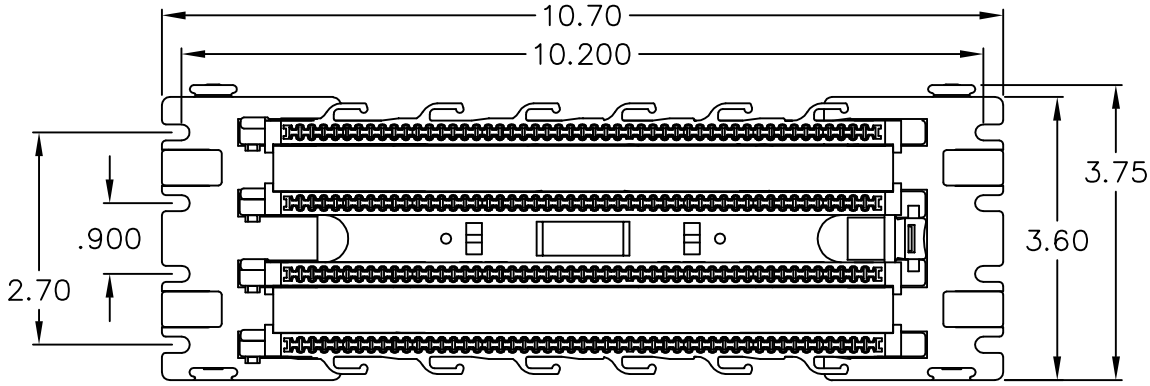
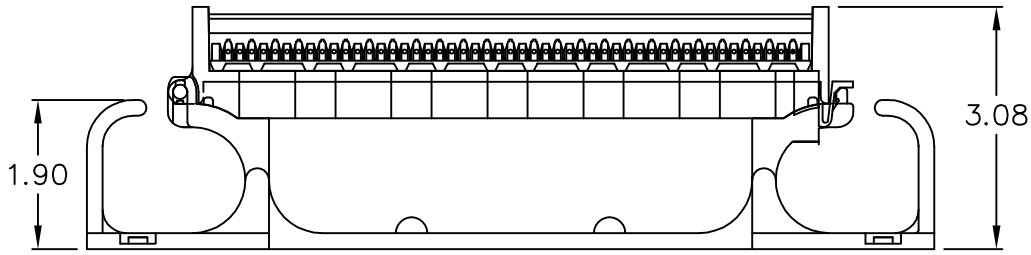
### 110 WIRING BLOCK KIT, HINGED, 100-PAIR

ITEM NO.	IC110H1004
DWG NO.	PS110H1004

REV.	A
PAGE NO.	1

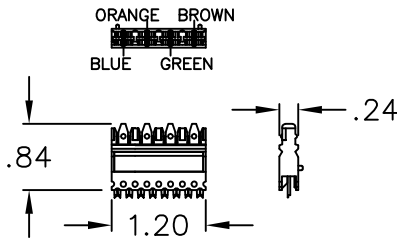


CUSTOMER CARE / TECHNICAL SUPPORT \* CSR@ICC.COM / 888-ASK-4-ICC (275-4422) \* 2100 E. Valencia Dr, Suite D, Fullerton, CA 92831 \* www.icc.com



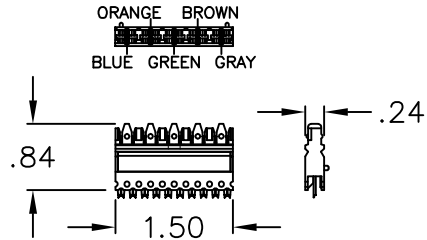
**100-PAIR HINGED 110 WIRING BLOCK**

- 1. MATERIAL: PC, UL 94V-0
- 2. COLOR: IVORY



**4-PAIR 110 CONNECTING BLOCK**

- 1. MATERIAL:
  - A. CONTACT: COPPER ALLOY, 100 MICRO INCHES BRIGHT SOLDER OVER 100 MICRO INCHES OF NICKEL UNDERPLATE
  - B. HOUSING: ABS, UL 94V-0




**5-PAIR 110 CONNECTING BLOCK**

- 1. MATERIAL:
  - A. CONTACT: COPPER ALLOY, 100 MICRO INCHES BRIGHT SOLDER OVER 100 MICRO INCHES OF NICKEL UNDERPLATE
  - B. HOUSING: ABS, UL 94V-0

CAT 5e CONNECTING HARDWARE REQUIREMENTS										
FREQUENCY (MHz)	1.0	4.0	8.0	10.0	16.0	20.0	25.0	31.25	62.5	100
NEXT LOSS (db)	65.0	65.0	64.9	63.0	58.9	57.0	55.0	53.1	47.1	43.0
FEXT LOSS (db)	75.1	63.1	57.0	55.1	51.0	49.1	47.1	45.2	39.2	35.1
RETURN LOSS (db)	35.0	35.0	35.0	35.0	35.0	34.0	32.0	30.1	24.1	20.0
INSERTION LOSS(db)	0.10	0.10	0.10	0.10	0.20	0.20	0.20	0.20	0.30	0.40

UL US FILE NO. 125268

<b>110 WIRING BLOCK KIT, HINGED, 100-PAIR</b>		
ITEM NO. IC110H1004	REV. A	
DWG NO. PS110H1004	PAGE NO. 2	

CUSTOMER CARE / TECHNICAL SUPPORT \* CSR@ICC.COM / 888-ASK-4-ICC (275-4422) \* 2100 E. Valencia Dr, Suite D, Fullerton, CA 92831 \* www.icc.com