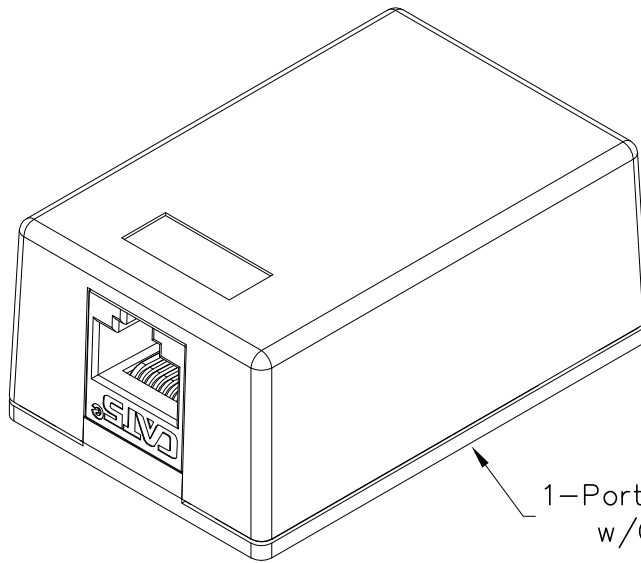


1-Port Surface Mount Box w/8P8C CAT 5e EZ Jack

PRODUCT SPECIFICATION

Package includes:

- A. Surface Mount Box Cover, 1 pc
- B. Surface Mount Box Base, 1 pc
- C. 8P8C Cat 5e Jack, 1 pc
- D. Double Sided Adhesive Strip, 1 pc
- E. #6 x 3/4" Pan Head, Sharp Point Tapping Screw, 2 pcs



1-Port Surface Mount Box
w/CAT 5e Data Jack

Features and Benefits:

- Provides a clean modular surface mount outlet solution of voice, data, and other communication needs to the work area for commercial or residential applications
- Multiple mounting options including adhesive backing and screws
- Recessed area for ID label
- Rugged and durable construction
- Available in ivory and white

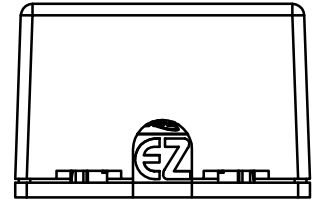
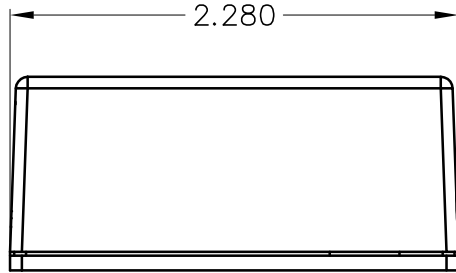
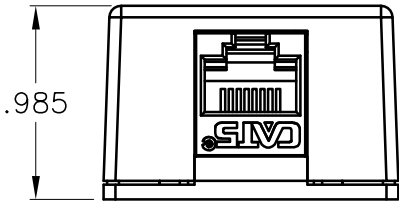
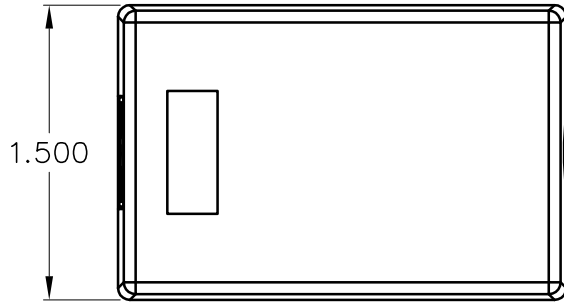
SURFACE MOUNT BOX, 8P8C, CAT 5E EZ

ITEM NO.	IC625S51XX
DWG NO.	PS625S5100

REV.	A
PAGE NO.	1



CUSTOMER CARE / TECHNICAL SUPPORT * CSR@ICC.COM / 888-ASK-4-ICC (275-4422) * 14700 Alondra Blvd., La Mirada, CA 90638 * www.icc.com



NOTE: UNLESS OTHERWISE SPECIFIED

1. MATERIAL:

- A. SURFACE MOUNT BOX: ABS, UL 94V-0
- B. CAT 5E MODULE: HIGH IMPACT, FLAME RETARDANT PLASTIC, UL 94V-0

2. COLOR: XX: IV-IVORY, WH-WHITE

3. CAT 5E MODULE:

A. ELECTRICAL:

- CURRENT RATING: 1.5 AMPS
- INSULATION RESISTANCE: 500 MOHMS MIN
- CONTACT RESISTANCE: 20 MOHMS MAX
- DC RESISTANCE: 0.1 OHM MAX
- TRANSMISSION PERFORMANCE EXCEEDS CATEGORY 5E CONNECTING HARDWARE REQUIREMENTS SPECIFIED IN TIA/EIA-568-B.2 WHEN USED WITH COMPATIBLE HORIZONTAL CABLE

B. MECHANICAL:

- PLUG INSERTION LIFE: 750 CYCLES MIN
- PLUG & JACK CONTACT FORCE: 100 GRAMS MIN USING FCC APPROVED PLUG
- PLUG RETENTION FORCE: 30 LBS MIN
- TEMPERATURE: -40° TO 150° F (-40° TO 68° C)

C. PHYSICALS:

- JACK WIRING: 50 MICRO INCHES OF GOLD OVER 100 INCHES OF NICKEL
- CONNECTOR: INSULATION DISPLACEMENT CONNECTOR (IDC) ACCEPTS 22~24 AWG SOLID WIRE


CATEGORY 5e CONNECTING HARDWARE REQUIREMENTS										
FREQUENCY (MHz)	1.0	4.0	8.0	10.0	16.0	20.0	25.0	31.25	62.5	100
NEXT LOSS (db)	65.0	65.0	64.9	63.0	58.9	57.0	55.0	53.1	47.1	43.0
FEXT LOSS (db)	75.1	63.1	57.0	55.1	51.0	49.1	47.1	45.2	39.2	35.1
RETURN LOSS (db)	35.0	35.0	35.0	35.0	35.0	34.0	32.0	30.1	24.1	20.0
INSERTION LOSS(db)	0.10	0.10	0.10	0.10	0.20	0.20	0.20	0.20	0.30	0.40

T568B WIRING

2	ORANGE
1	WHITE/ORANGE
3	WHITE/GREEN
5	WHITE/BLUE
4	BLUE
6	GREEN
8	BROWN
7	WHITE/BROWN

T568A WIRING

2	GREEN
1	WHITE/GREEN
3	WHITE/ORANGE
5	WHITE/BLUE
4	BLUE
6	ORANGE
8	BROWN
7	WHITE/BROWN

SURFACE MOUNT BOX, 8P8C, CAT 5E EZ		 Premium Products Proven Performance Competitive Prices	
ITEM NO.	IC625S51XX		REV. A
DWG NO.	PS625S5100	PAGE NO.	2

CUSTOMER CARE / TECHNICAL SUPPORT * CSR@ICC.COM / 888-ASK-4-ICC (275-4422) * 14700 Alondra Blvd., La Mirada, CA 90638 * www.icc.com