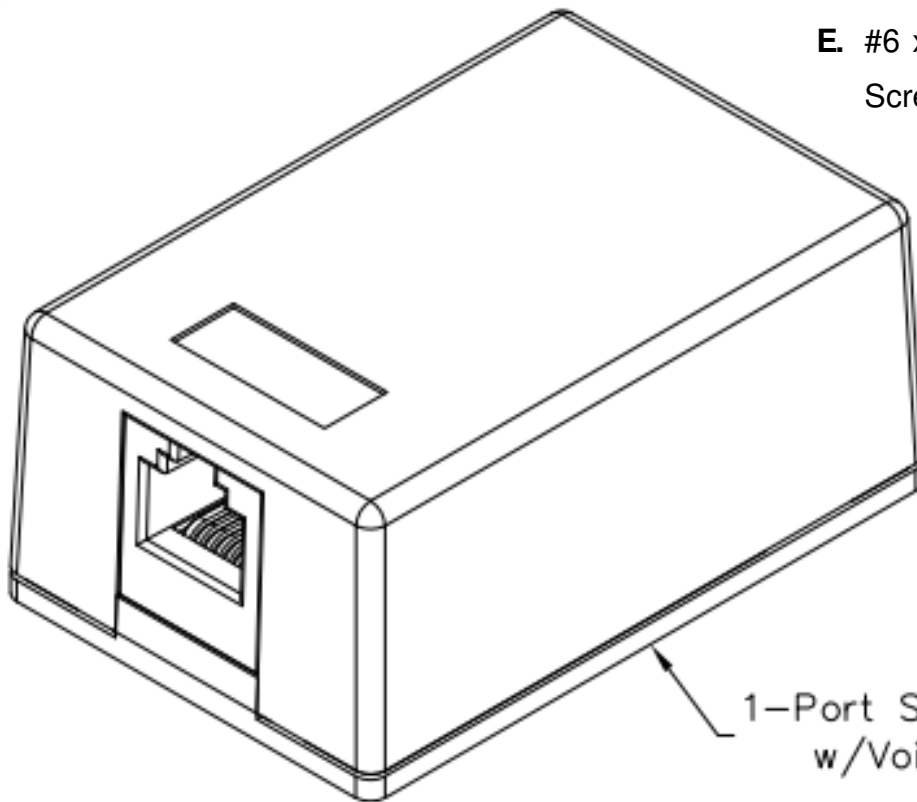


# 1 Port Surface Mount Box With 6P6C Voice EZ Jack

## Package Includes:

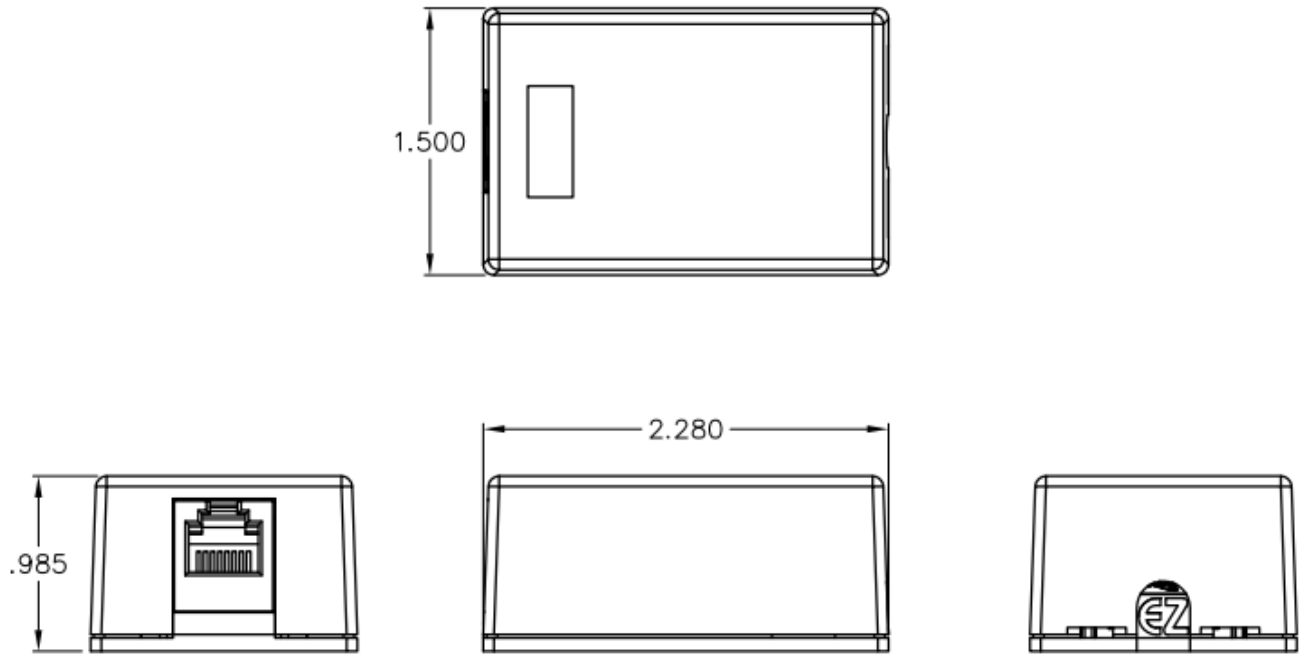
- A. Surface Mount Box Cover, 1 PC
- B. Surface Mount Box Base, 1 PC
- C. 6P6C Voice Jack, 1 PC
- D. Double Sided Adhesive Strip, 1 PC
- E. #6 x 3/4" Pan Head, Sharp Point Tapping Screw, 2 PCS



1-Port Surface Mount Box  
w/Voice Jack

## Features and Benefits

- Provides a clean modular surface mount outlet solution of voice, data, and other communication needs to the work area for commercial or residential applications
- Multiple mounting options including adhesive backing and screws
- Recessed area for ID label
- Rugged and durable construction
- Available in ivory and white
- Country Of Origin: Taiwan
- TAA Compliant



**NOTE: UNLESS OTHERWISE SPECIFIED**

1. MATERIAL:

- A. SURFACE MOUNT BOX: ABS, UL 94V-0
- B. VOICE MODULE: HIGH IMPACT, FLAME RETARDANT PLASTIC, UL 94V-0

2. COLOR: XX: IV-IVORY, WH-WHITE

3. RJ-11 VOICE MODULE:

A. ELECTRICAL:

- i. CURRENT RATING: 1.5 AMPS MAX
- ii. VOLTAGE RATING: 150 VOLTS ALTERNATING
- iii. DIELECTRIC WITHSTANDING VOLTAGE: 1000 VOLTS RMS, 60 HZ
- iv. INSULATION RESISTANCE:> 10 MOHMS

B. MECHANICAL:

- i. MATED FORCE: 5 LBS MAX
- ii. UNMATED FORCE: 5 LBS MAX
- iii. PLUG RETENTION FORCE: 20 LBS MIN
- iv. DURABILITY:750 CYCLES

C. PHYSICALS

- i. HOUSING: HIGH IMPACT, FLAME RETARDANT PLASTIC, UL 94V-0
- ii. CONTACT: PHOSPHOR BRONZE GOLD PLATING OVER 100 INCHES OF NICKEL
- iii. GOLD PLATING: 1.27 MICRON/50 MICRO INCH MIN
- iv. CONNECTOR: INSULATION DISPLACEMENT CONNECTOR (IDC) ACCEPTS 22-24 AWG SOLID WIRE

NEXT: (NEAR END CROSS TALK)	1 MHz > 65 dB
	10 MHz > 50 dB
	16 MHz > 46 dB
	20 MHz > 44 dB
INSERTION LOSS:	10 MHz > 0.008 dB
	16 MHz > 0.02 dB