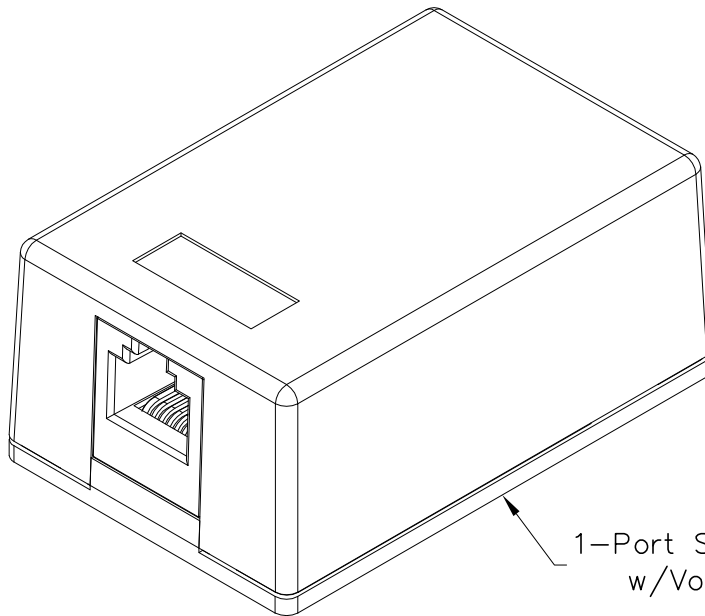


1-Port Surface Mount Box w/6P6C Voice EZ Jack

PRODUCT SPECIFICATION

Package includes:

- A. Surface Mount Box Cover, 1 pc
- B. Surface Mount Box Base, 1 pc
- C. 6P6C Voice Jack, 1 pc
- D. Double Sided Adhesive Strip, 1 pc
- E. #6 x 3/4" Pan Head, Sharp Point Tapping Screw, 2 pcs



1-Port Surface Mount Box w/Voice Jack

Features and Benefits:

- Provides a clean modular surface mount outlet solution of voice, data, and other communication needs to the work area for commercial or residential applications
- Multiple mounting options including adhesive backing and screws
- Recessed area for ID label
- Rugged and durable construction
- Available in ivory and white

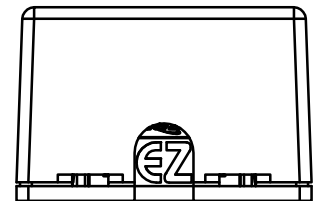
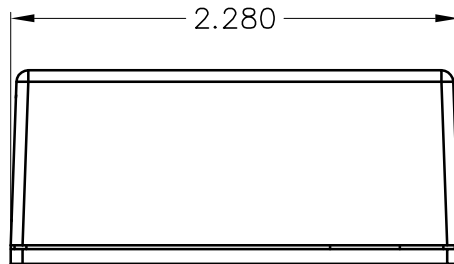
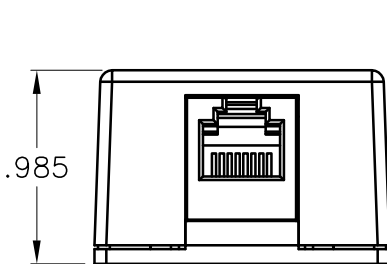
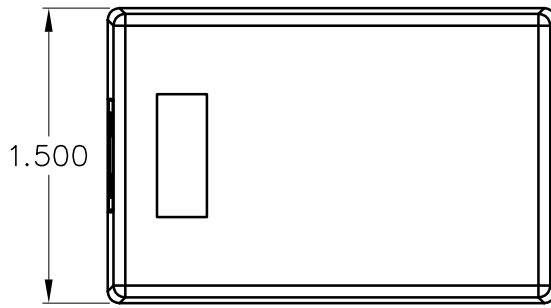
SURFACE MOUNT BOX, 6P6C, 1 VOICE EZ

ITEM NO.	IC625SV1XX
DWG NO.	PS625SV100

REV.	A
PAGE NO.	1



CUSTOMER CARE / TECHNICAL SUPPORT * CSR@ICC.COM / 888-ASK-4-ICC (275-4422) * 14700 Alondra Blvd., La Mirada, CA 90638 * www.icc.com



NOTE: UNLESS OTHERWISE SPECIFIED

1. MATERIAL:

- A. SURFACE MOUNT BOX: ABS, UL 94V-0
- B. VOICE MODULE: HIGH IMPACT, FLAME RETARDANT PLASTIC, UL 94V-0

2. COLOR: XX: IV-IVORY, WH-WHITE

3. RJ-11 VOICE MODULE:

A. ELECTRICAL:

- CURRENT RATING: 1.5 AMPS MAX
- VOLTAGE RATING: 150 VOLTS ALTERNATING
- DIELECTRIC WITHSTANDING VOLTAGE: 1000 VOLTS RMS, 60 HZ
- INSULATION RESISTANCE: > 10 MOHMS

B. MECHANICAL:

- MATED FORCE: 5 LBS MAX
- UNMATED FORCE: 5 LBS MAX
- PLUG RETENTION FORCE: 20 LBS MIN
- DURABILITY: 750 CYCLES

C. PHYSICALS:

- HOUSING: HIGH IMPACT, FLAME RETARDANT PLASTIC, UL 94V-0
- CONTACT: PHOSPHOR BRONZE GOLD PLATING OVER 100 INCHES OF NICKEL
- GOLD PLATING: 1.27 MICRON/50 MICRO INCH MIN
- CONNECTOR: INSULATION DISPLACEMENT CONNECTOR (IDC)
ACCEPTS 22~24 AWG SOLID WIRE

NEXT: (NEAR END CROSS TALK)	1 MHz > 65 dB
	10 MHz > 50 dB
	16 MHz > 46 dB
	20 MHz > 44 dB
INSERTION LOSS:	10 MHz > 0.008 dB
	16 MHz > 0.02 dB

SURFACE MOUNT BOX, 6P6C, 1 VOICE EZ

ITEM NO.	IC625SV1XX	REV.	A
DWG NO.	PS625SV100	PAGE NO.	2



CUSTOMER CARE / TECHNICAL SUPPORT * CSR@ICC.COM / 888-ASK-4-ICC (275-4422) * 14700 Alondra Blvd., La Mirada, CA 90638 * www.icc.com