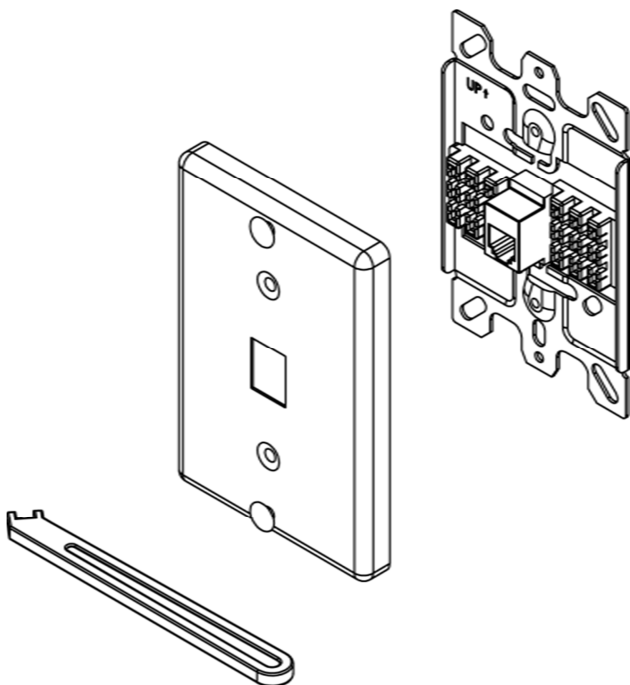


# Stainless Steel IDC 6P6C Telephone Wall Plate



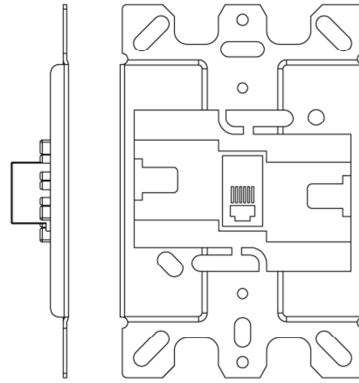
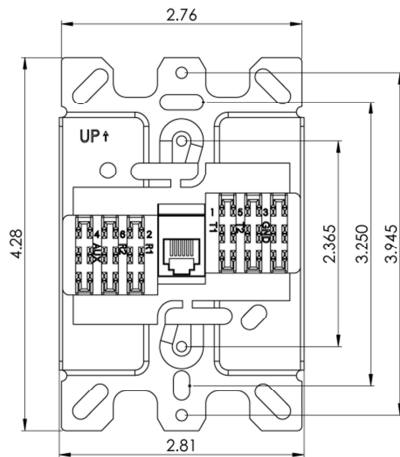
## Package Includes

- A. Stainless Steel IDC Telephone Wall Plate Cover, **1 Piece**.
- B. 6P6C IDC Telephone Wall Plate Back Frame, **1 Piece**
- C. Mounting Standoff, **2 Pieces**
- D. Installation Tool, **1 Piece**
- E. #6-32 x ¾" Oval Head, Countersink, Deep Slotted Drive, Machine Screw, **2 Piece**
- F. #6-32 x ½" Oval Head, Countersink, Machine Screw, **2 Piece**

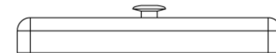
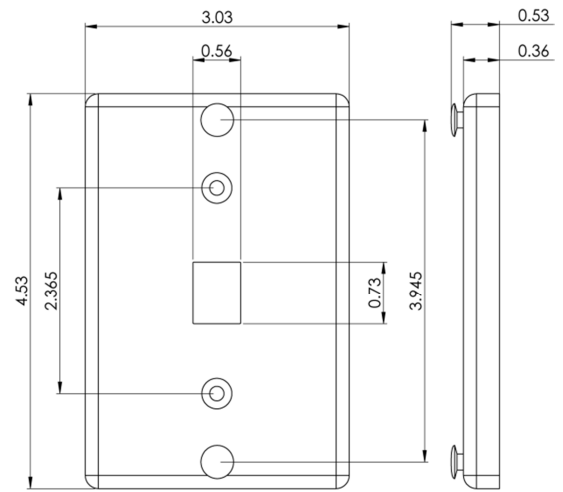
## Features and Benefits

- Configured to fit standard single gang outlet box
- Designed for all voice connectivity to the work area for commercial or residential applications
- Provides with 110 termination and zinc plated steel back frame
- Rugged and durable construction
- Provides with two mounting standoffs for wall mount telephone
- Includes termination tool
- Used with ICLC4 and ICLC6 line cords
- ANSI/TIA-568-C and UL 1863 Compliant
- Country of Origin: Taiwan
- TAA Compliant

## Product Specification



BACK FRAME



COVER

### Specifications

- Material: & Finish:
  - 6P6C Jack & IDC Housing: ABS UL-94V-0
  - Spring Wire Contacts: Phosphor Bronze Gold Plating  
Over 100 Micro inch nickel  
1.27 microns/50 micro inch min gold plating
  - Wire leads: 26 AWG stranded wire
  - Terminal: Phosphor Bronze, Tin Plated
  - Wall Plate Back Frame Bracket: Steel, Zinc Plated
  - Wall Plate Cover: Stainless Steel
- Mechanical:
  - Total mating force: 750 grams for 6 wires lead
  - Retention: 17 LBS between jack and plug
  - Crump tensile strength: 4.0-500 LBS
- Electrical
  - Current Rating: 1.5 AMP Max
  - Dielectric Withstanding Voltage: 1,000 volts RMS, 60 Hz
  - Insulation Resistance: > 10 Megaohms
  - Contact Resistance: < 20 Milliohms

#### WIRING DIAGRAM

JACK POSITION	WIRE COLOR 6 COND.
1	WHITE
2	BLACK
3	RED
4	GREEN
5	YELLOW
6	BLUE

Part No: IC630DA6SS

Rev: D

Page 2 of 2

| 888-ASK-4ICC | [icc.com](http://icc.com) | [csr@icc.com](mailto:csr@icc.com) |

