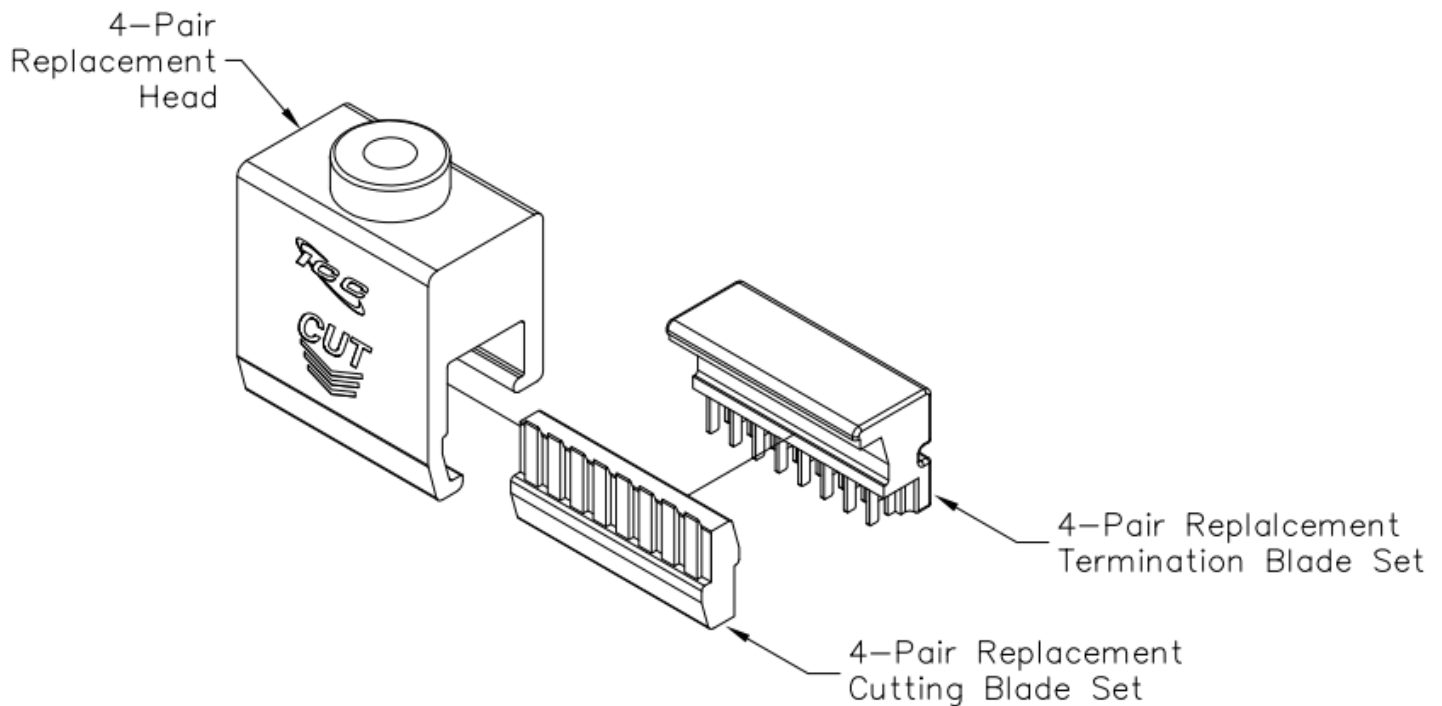


## 4 Pair 110 Replacement Head

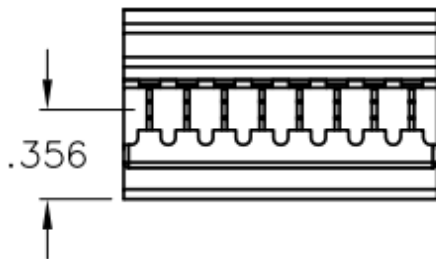
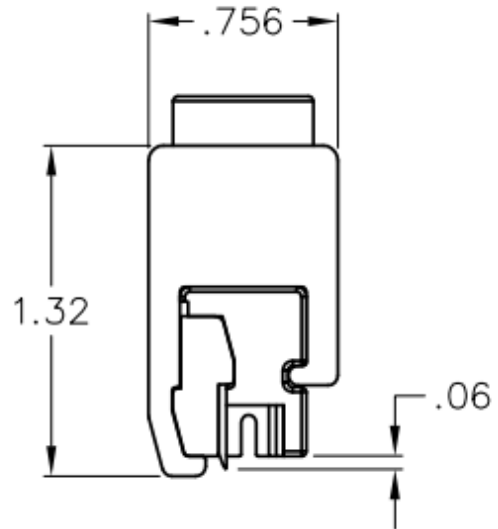
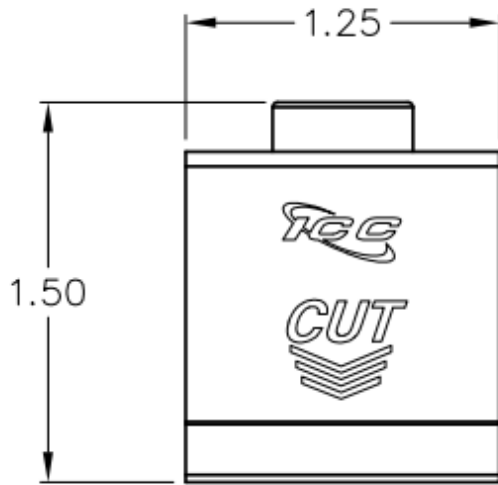
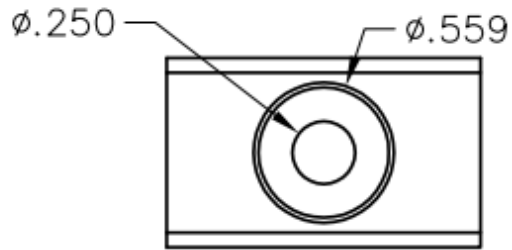
### Package Includes:

- A. 4-Pair Replacement Head, 1 PC
- B. 4-Pair Replacement Terminator Blade Set, 1 PC
- C. 4-Pair Replacement Cutting Blade Set, 1 PC



### Features and Benefits

- Manufactured from high quality aluminum for strength and durability.
- Designed as a replacement blade head for ICACSPDT4P 4-Pair Punch Down Tool
- Cuts excess wire and terminates 4-pairs with one impact.
- Compatible with ICC's Voice, CAT 5e, CAT 6 Patch Panels and CAT 5e 110 wiring blocks
- Country Of Origin: Taiwan
- TAA Compliant



**NOTE: UNLESS OTHERWISE SPECIFIED**

1. MATERIAL:
  - A. HEAD: AL 6061
  - B. TERMINATOR: NYLON-FIBER
  - C. CUTTER: SK-5
2. FINISH: MATTED TEXTURE
3. HARDNESS: BLADE: HRC 50-60°