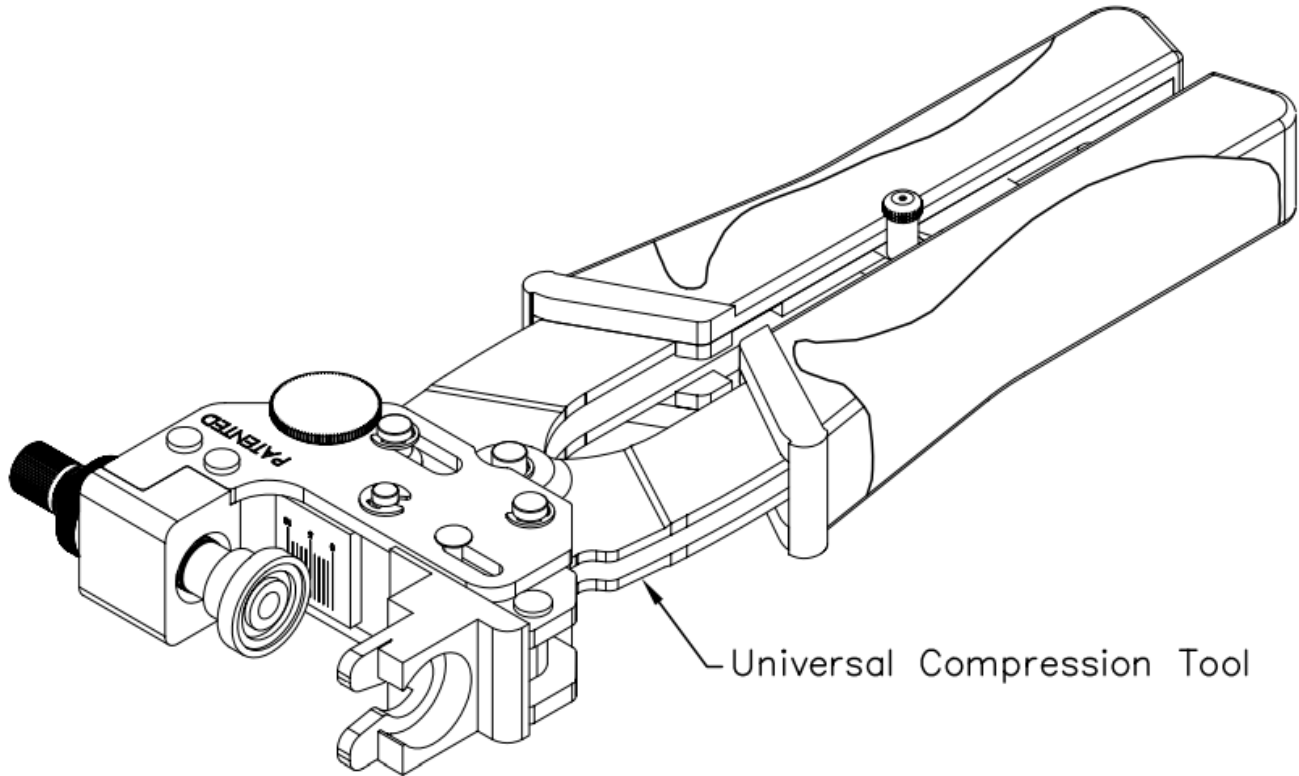


# Universal Compression Tool

## Package Includes:

- A. Universal Compression Tool, 1 PC
- B. Instructions, 1 Sheet



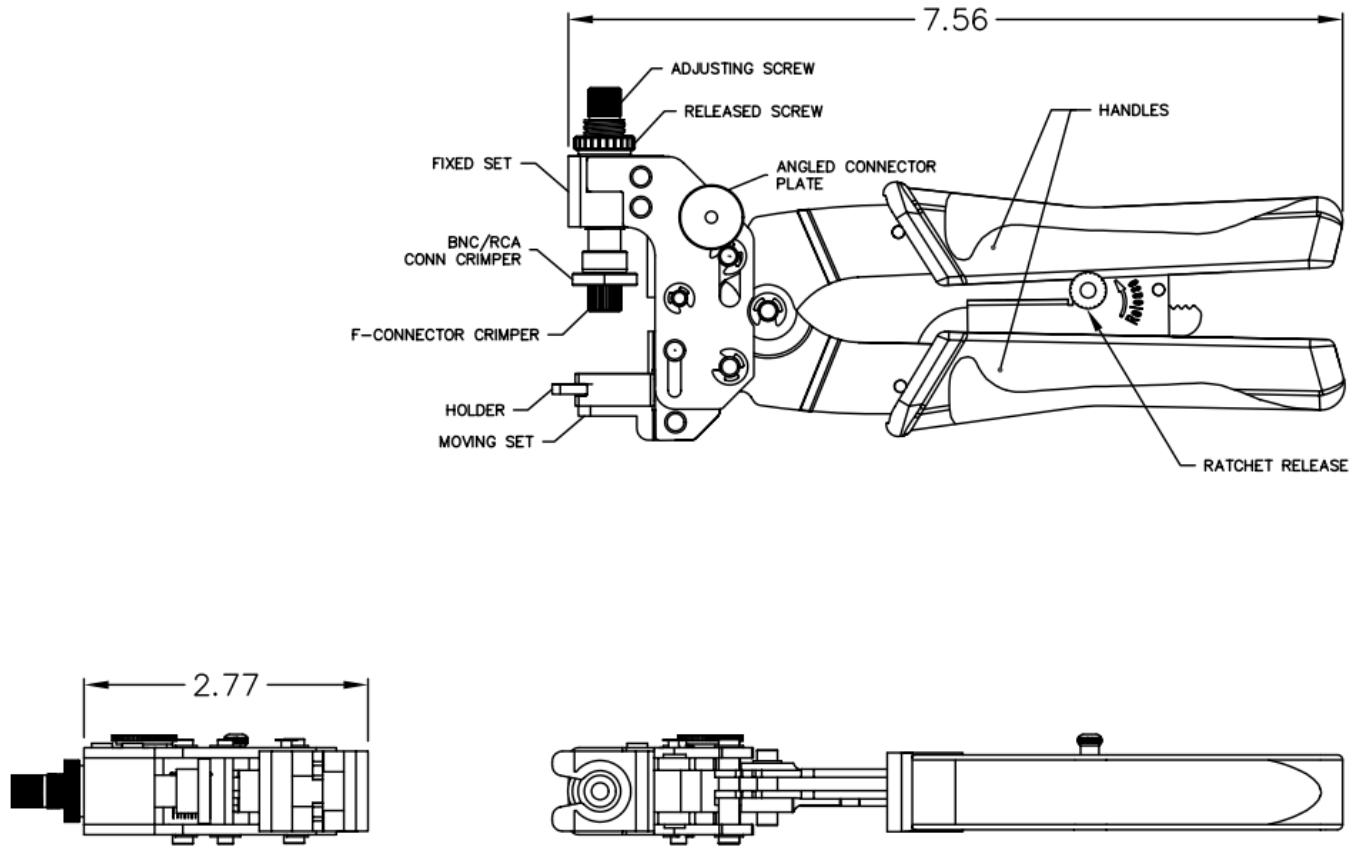
## Features and Benefits

- Designed with ratchet mechanism preventing release of the connector prior to full compression, allowing installers complete freedom of movement during use, and providing a quick, easy, and reliable method of terminating and compressing connectors on cables
- Provides a much tighter fit after compression than traditional crimp tools and aids in proper and consistent termination, reducing the potential for connector damage
- Avoids over-crimping by pressing the connector vertically onto the cable without causing bends and distortion to the waveguide cavity, thus improving signal quality and preventing connectivity degradation over time
- Ergonomic design providing a firm comfortable grip and preventing slippage during compression
- Steel frame constructions for added strength and durability
- Handles all water sealed and standard F-type, RCA, BNC, right angled BNC compression connectors, and keystone compression modules
- Suitable for use with RG59, RG6, and RG6 quad cables
- Used with all ICRDS F-type, RCA, and BNC connectors, IC107FQG F-type crimp modules, and IC107RQ RCA crimp modules
- Instructions included
- Country Of Origin: Taiwan
- TAA Compliant

Part No: ICACSCT01U  
 Rev: B  
 Page 1 of 2

| 888-ASK-4ICC | [icc.com](http://icc.com) | [csr@icc.com](mailto:csr@icc.com) |





**NOTE: UNLESS OTHERWISE SPECIFIED**

1. MATERIAL:

- A. FRAME: MIDDLE CARBON STEEL
- B. CRIMPER: SAE 4140
- C. HANDLES: BLUE PP & BLACK RUBBER