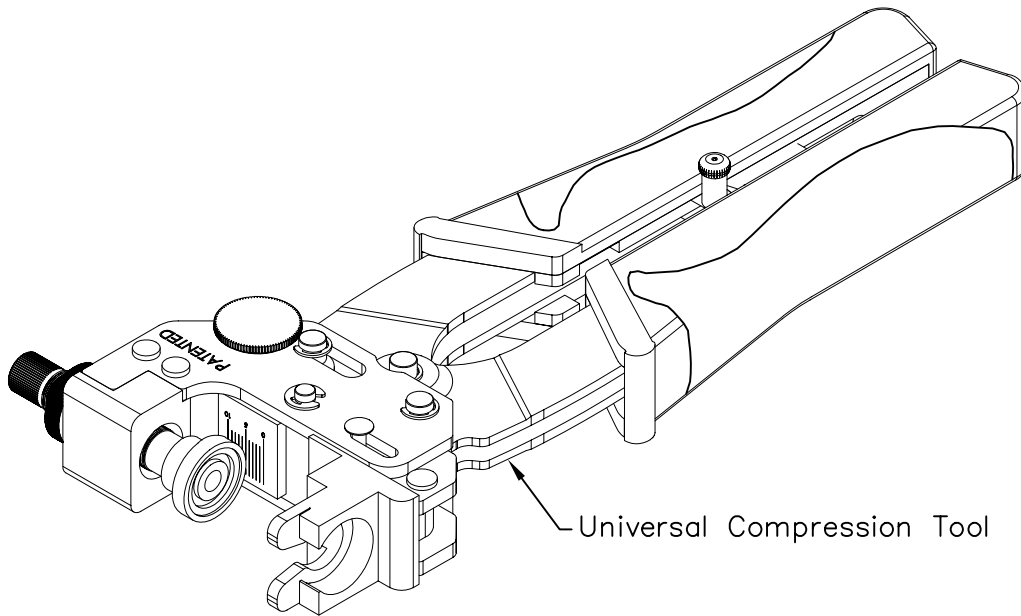


Universal Compression Tool

PRODUCT SPECIFICATION

Package includes:

- A. Universal Compression Tool, 1 pc
- B. Instructions, 1 sheet



Features and Benefits:

- Designed with ratchet mechanism preventing release of the connector prior to full compression, allowing installers complete freedom of movement during use, and providing a quick, easy, and reliable method of terminating and compressing connectors on cables
- Provides a much tighter fit after compression than traditional crimp tools and aids in proper and consistent termination, reducing the potential for connector damage
- Avoids over-crimping by pressing the connector vertically onto the cable without causing bends and distortion to the waveguide cavity, thus improving signal quality and preventing connectivity degradation over time
- Ergonomic design providing a firm comfortable grip and preventing slippage during compression
- Steel frame constructions for added strength and durability
- Handles all water sealed and standard F-type, RCA, BNC, right angled BNC compression connectors, and keystone compression modules
- Suitable for use with RG59, RG6, and RG6 quad cables
- Used with all ICRDS F-type, RCA, and BNC connectors, IC107FQG F-type crimp modules, and IC107RQ RCA crimp modules
- Instructions #MSR-0393 included

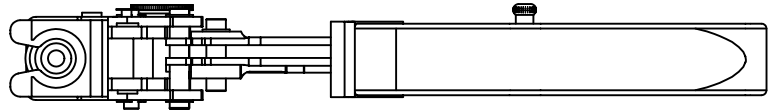
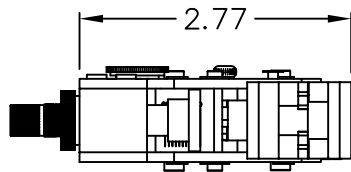
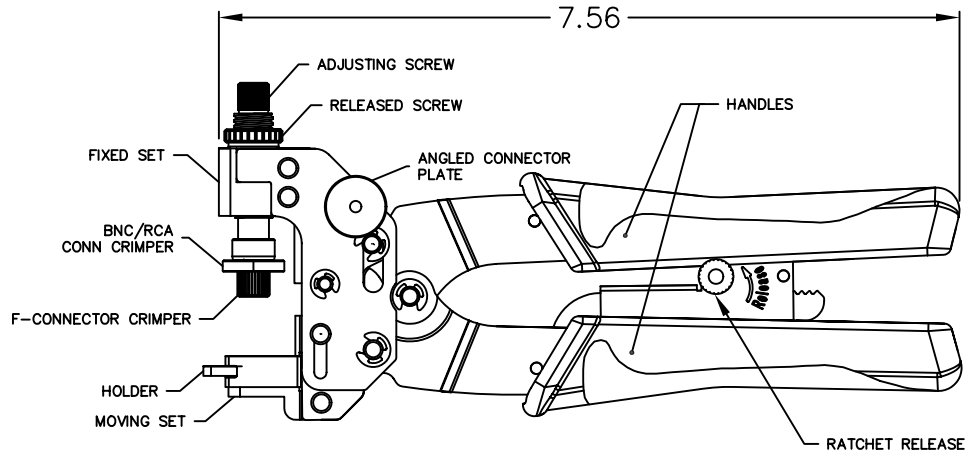
TOOL, COMPRESSION, UNIVERSAL

| | |
|----------|------------|
| ITEM NO. | ICACSCT01U |
| DWG NO. | PSACSCT01U |

| | |
|----------|---|
| REV. | B |
| PAGE NO. | 1 |




CUSTOMER CARE / TECHNICAL SUPPORT * CSR@ICC.COM / 888-ASK-4-ICC (275-4422) * 14700 Alondra Blvd., La Mirada, CA 90638 * www.icc.com



NOTE: UNLESS OTHERWISE SPECIFIED

1. MATERIAL:

- A. FRAME: MIDDLE CARBON STEEL
- B. CRIMPER: SAE 4140
- C. HANDLES: BLUE PP & BLACK RUBBER

| | | | |
|-------------------------------------|------------|---|------------|
| TOOL, COMPRESSION, UNIVERSAL | |  <i>PremiumProducts</i> <i>ProvenPerformance</i> <i>CompetitivePrices</i> | |
| ITEM NO. | ICACSCT01U | | REV. B |
| DWG NO. | PSACSCT01U | | PAGE NO. 2 |

CUSTOMER CARE / TECHNICAL SUPPORT * CSR@ICC.COM / 888-ASK-4-ICC (275-4422) * 14700 Alondra Blvd., La Mirada, CA 90638 * www.icc.com