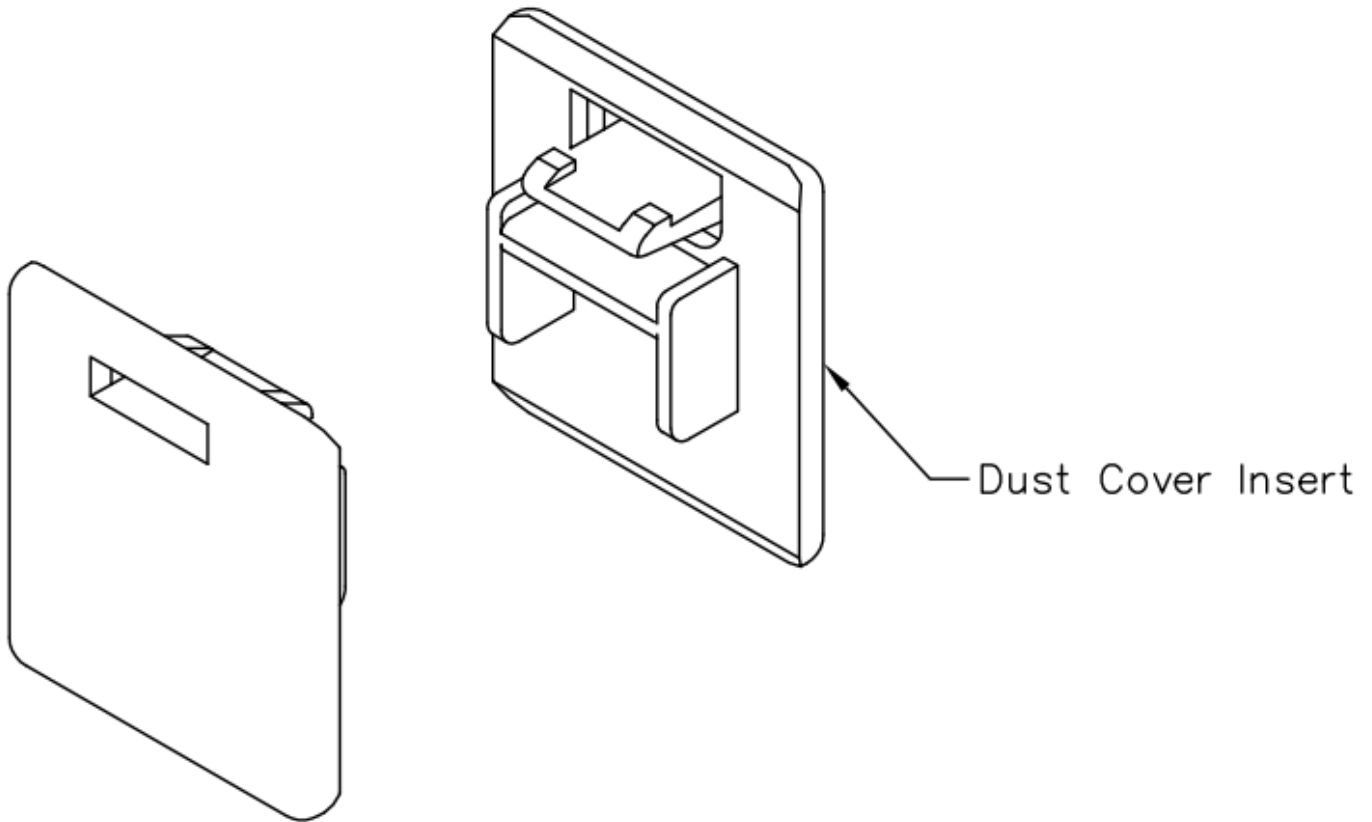


Clear Dust Cover Insert 100-Pack

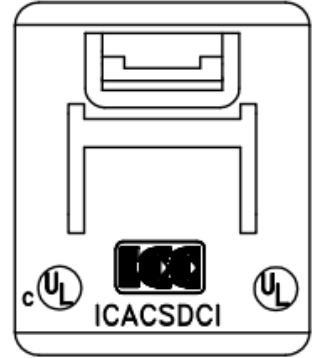
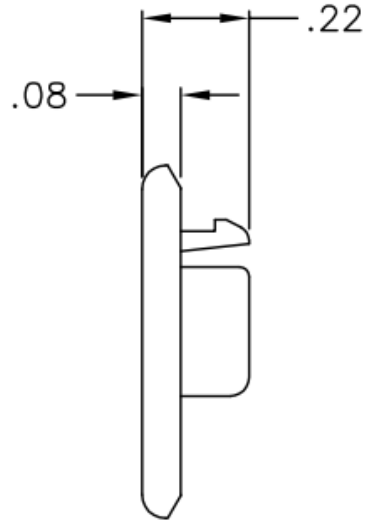
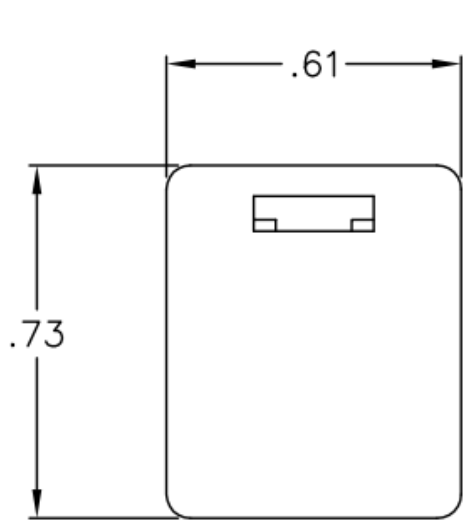
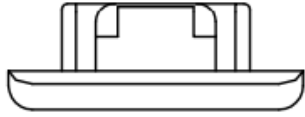
Package Includes:

A. Dust Cover Insert, 100 PCS



Features and Benefits

- Fills unused modules and ports to prevent dust and debris
- Used with ICC's CAT 5e, CAT 6, CAT 6A, voice modules, couplers, faceplates, inserts, and patch panels
- Available in clear
- ANSI/TIA-568-C and UL 1863 compliant
- Country Of Origin: Taiwan
- TAA Compliant



NOTE: UNLESS OTHERWISE SPECIFIED

1. MATERIAL: ABS, UL 94V-0
2. COLOR: CLEAR
3. SURFACE FINISHING: TEXTURE