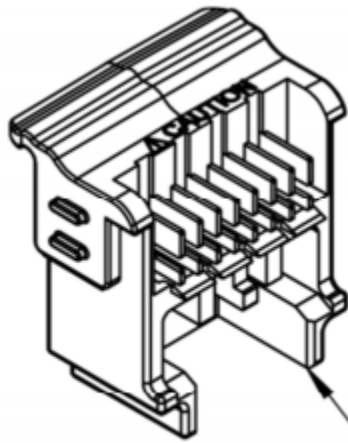


# JackEasy™ Replacement Head EZ®

## Package Includes:

A. JackEasy™ Replacement Head EZ® , 6 PCS



4-Pair EZ  
Replacement Head

### **NOTE: UNLESS OTHERWISE SPECIFIED**

#### 1. MATERIAL:

- A. Head: Nylon + Fiber
- B. Cutter: SK-5
- C. Hardness:
  - i. Blade: HRC 50-60°
- D. Color: Blue

## Features and Benefits

- Manufactured from high-quality plastic for strength and durability
- Compatible with ICC's JackEasy™ Termination Tool (ICACSPDTEH)
- Cuts excess wire and terminate 4-pairs with one motion
- Compatible with all of ICC's EZ® modules
- Country Of Origin: Taiwan
- TAA Compliant

Part No: ICACSPDREZ

Rev: A

Page 1 of 2

| 888-ASK-4ICC | [icc.com](http://icc.com) | [csr@icc.com](mailto:csr@icc.com) |

