

4-Pair Punchdown Tool

Package Includes

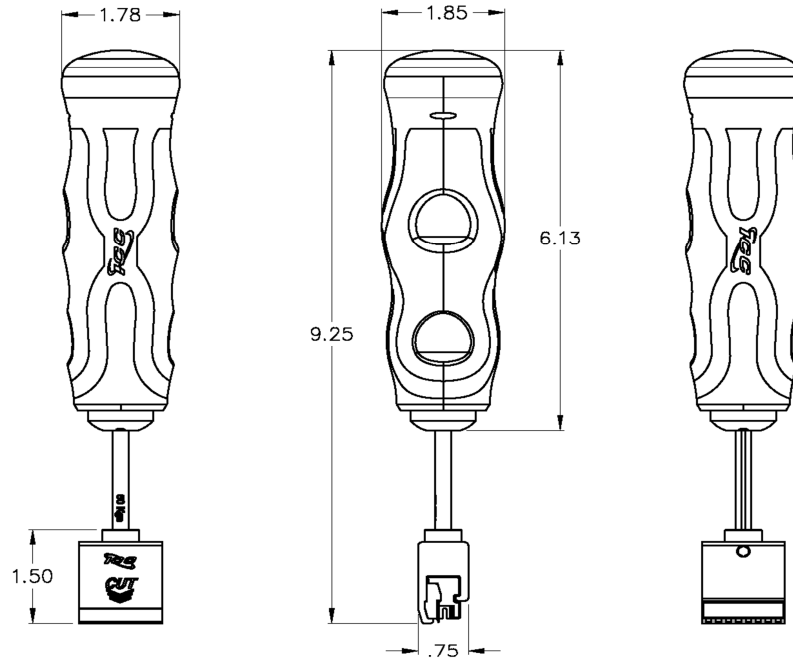
A. 4-Pair Punchdown Tool, 1 pc



Features and Benefits

- Designed to provide a maximum of 110 lbs (50 kgs) impact in order to terminate 4-pairs of wires simultaneously making installations faster and easier.
- Tip of the shaft engages the blade set eliminating the possibility of blade misalignment.
- Ergonomic design allowing a comfortable fit throughout installations.
- Anti-slip rubber with raised grip design preventing hand slippage during use.
- Cushioned rubber handle helps absorb impact to the hand.
- Can be used for seating and terminating wires.
- Compatible with ICC's voice, CAT 5e, CAT 6 Patch Panels and CAT 5e, CAT 6 110 wiring blocks.
- Country Of Origin: Taiwan
- TAA Compliant

Specifications



NOTE: UNLES:

HANDLE

1. MATERIAL:

- A. BODY: ALUMINUM 6061-T6
- B. INTERNAL PART: S45C
- C. HANDLE: THERMO PLASTIC RUBBER, BLUE
- D. FINISH: MATTED TEXTURE

2. MECHANICAL: IMPACT: 50 KGS (FOR 24~22 AWG WIRES)

TERMINATION HEAD

1. MATERIAL:

- A. HEAD: ALUMINUM 6061
- B. TERMINATOR: NYLON+FIBER
- C. CUTTER: SK-5

2. FINISH: MATTED TEXTURE

3. HARDNESS: BLADE: HRC 50~60°

For warranty information, go online to icc.com/warranty.

Part No: ICACSPDT4P Rev: B

Part No: ICACSPDT4P

Rev: B

Page 2 of 2

| 888-ASK-4ICC | icc.com | csr@icc.com |

