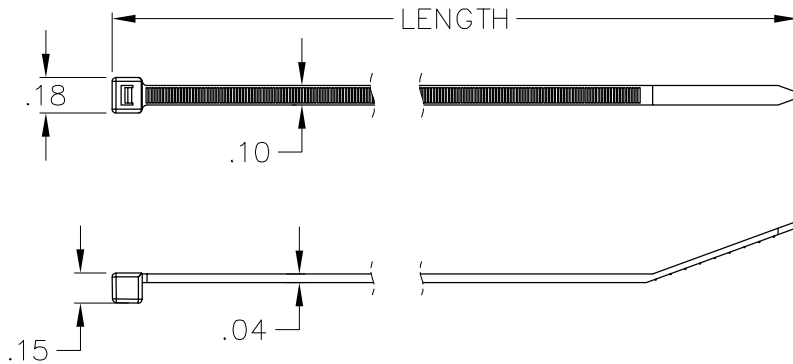
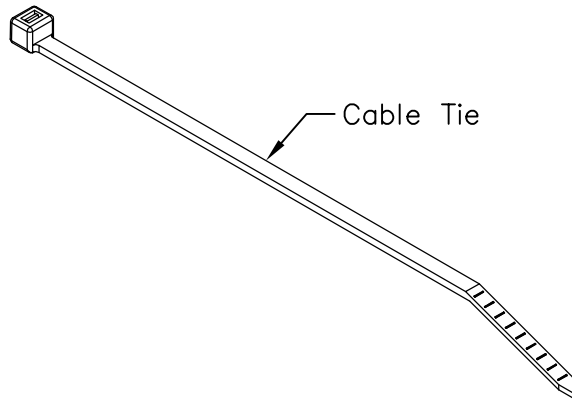


18 lbs Cable Tie

PRODUCT SPECIFICATION

Package includes:

A. 18 lbs. Cable Tie, 1000 pcs




NOTE: UNLESS OTHERWISE SPECIFIED

1. MATERIAL: NYLON 66
2. COLOR: NL-NATURAL, BK-BLACK

ITEM NUMBER	LENGTH (IN)	MAXIMUM BUNDLE DIAMETER (IN)
ICACSS8KBK	7.87	2.09
ICACSS8KNL	7.87	2.09

Features and Benefits:

- All nylon, one-piece construction up to 18 lbs minimum loop tensile strength.
- Easy and fast installation.
- Durable and strong.
- Operating temperature from 14°F to 185°F (-10°C to 85°C).
- Flammability rating UL 94V-2.
- MIL SPEC approved where applicable.

CABLE TIE, 18 LBS, 1000 PK			
ITEM NO.	SEE TABLE 1		REV. A
DWG NO.	PSACSS0K00		PAGE NO. 1

CUSTOMER CARE / TECHNICAL SUPPORT * CSR@ICC.COM / 888-ASK-4-ICC (275-4422) * 2100 E. Valencia Dr, Suite D, Fullerton, CA 92831 * www.icc.com