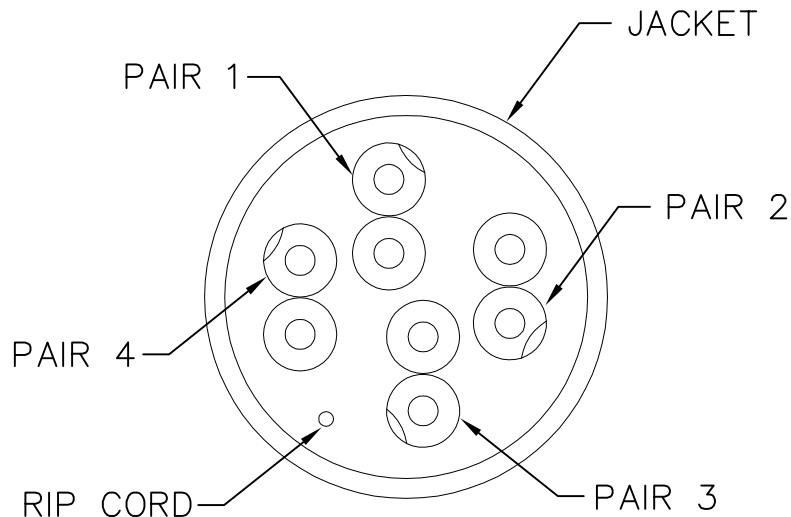


Category 5e 350MHz UTP CMP Solid Cable

PRODUCT SPECIFICATION

Package includes:

A. Category 5e UTP Solid Cable, 1000 feet/pull



PAIR 1: BLUE & WHITE/BLUE

PAIR 2: ORANGE & WHITE/ORANGE

PAIR 3: GREEN & WHITE/GREEN

PAIR 4: BROWN & WHITE/BROWN

Features and Benefits:

- Exceeds TIA 568-C.2 Category 5e standard.
- Easy to dispense 1000 ft with EZ pull box, saving you energy and time on the job site.
- Convenient sequential footage markings for usage tracking.
- Plenum rated required in most commercial installations.
- ETL verified TIA/EIA 568-C.2 for guaranteed performance.
- UL 1863 compliant.

CABLE, CAT5e, UTP, 24AWG, 4P, CMP, 1000FT

ITEM NO. ICCABP5EXX

REV. G

DWG NO. PSCABP5E00

PAGE NO. 1



CUSTOMER CARE / TECHNICAL SUPPORT * CSR@ICC.COM / 888-ASK-4-ICC (275-4422) * 2100 E. Valencia Dr, Suite D, Fullerton, CA 92831 * www.icc.com

CATEGORY 5e 350MHz UTP CABLE ELECTRICAL PERFORMANCE (100 METER/328 FT)

FREQUENCY (MHz)	INSERTION LOSS MAX. (dB)	RETURN LOSS MIN. (dB)	NEXT MIN. (dB)	PS NEXT MIN. (dB)	ACR MIN. (dB)	PS ACR MIN. (dB)	ACRF MIN. (dB)	PS ACRF MIN. (dB)
1.0	2.0	20.0	65.3	62.3	63.3	60.3	63.8	60.8
4.0	4.1	23.0	56.3	53.3	52.2	49.2	51.8	48.8
10.0	6.5	25.0	50.3	47.3	43.8	40.8	43.8	40.8
16.0	8.2	25.0	47.2	44.2	39.0	36.0	39.7	36.7
20.0	9.3	25.0	45.8	42.8	36.5	33.5	37.8	34.8
25.0	10.4	24.3	44.3	41.3	33.9	30.9	35.8	32.8
31.25	11.7	23.6	42.9	39.9	31.2	28.2	33.9	30.9
62.5	17.0	21.5	38.4	35.4	21.4	18.4	27.9	24.9
100.0	22.0	20.1	35.3	32.3	13.3	10.3	23.8	20.8
155.0	28.1	N/A	32.4	29.4	4.4	1.4	20.0	17.0
200.0	29.0	N/A	30.8	27.8	N/A	N/A	17.8	14.8
250.0*	32.4	N/A	29.3	26.3	N/A	N/A	15.8	12.8
300.0*	41.0	N/A	28.1	25.1	N/A	N/A	14.3	11.3
350.0*	44.9	N/A	27.1	24.1	N/A	N/A	12.9	9.9

*FREQUENCIES BEYOND 200MHz ARE FOR REFERENCE ONLY

NOTES: UNLESS OTHERWISE SPECIFIED

1. STANDARD:

- A. ANSI/TIA 568-C.2
- B. ANSI/TIA 862 (BUILDING AUTOMATION)
- C. ISO/IEC 11801 Ed. 2.0 (CLASS D)
- D. ICEA S-90-661 (CATEGORY 5E)
- E. NEC/CEC TYPE CMP(NFPA 262)
- F. RoHS COMPLIANT DIRECTIVE 2002/95/EC
- G. UL 444

2. CONSTRUCTION:

- A. CONDUCTOR: 24 AWG, SOLID BARE COPPER
- B. JACKET:
 - MATERIAL: LOW SMOKE, FLAME-RETARDANT PVC
 - DIAMETER: ø0.180"
- C. INSULATION: FLUOROPOLYMER/DUAL LAYER POLYOLEFIN
- D. RIP CORD
 - MATERIAL: POLYESTER

3. ELECTRICAL & PHYSICAL PROPERTIES:

- A. TEMPERATURE RATING:
 - INSTALLATION TEMPERATURE: 32°~140°F
 - OPERATIONAL TEMPERATURE: -4°~167°F
- B. DC RESISTANCE: 8.9 OHM/100m @ 20°C MAX.
- C. DC RESISTANCES UNBALANCE: 3.0% INDIVIDUAL PAIR
- D. CHARACTERISTIC IMPEDANCE: FREQUENCY 1~200 MHz, 100±15 OHMS
- E. MUTUAL CAPACITANCE (MAX): 17 pF/FT @ 1 KHz
- F. NOMINAL VELOCITY OF PROPAGATION (NVP): 72%
- G. DELAY SKEW (MAX): 45 NS/100M
- H. MINIMUM BEND RADIUS: 1.0"
- I. MAXIMUM PULLING FORCE: 25 LBS

4. PACKAGING:

- A. BOX SIZE: 13.00" X 13.00" X 8.50"
- B. WEIGHT: 21.00 LBS/1000FT

5. APPLICATIONS:

- A. IEEE 802.3: 1000 BASE-T (GIGABIT ETHERNET), 100 BASE-TX, 10 BASE-T
- B. 52/155 Mp/s ATM
- C. ANSI X3.263: 100 Mb/s
- D. IEEE 802.3af for DATA TERMINAL EQUIPMENT POWER (DTE) PoE
- E. IEEE 802.3at FOR PoE PLUS

PART NUMBER	DESCRIPTION
ICCABP5EBL	CAT5e 350MHz UTP SOLID CABLE, 24 AWG, 4 PAIR, CMP, 1000FT, BLUE
ICCABP5EGN	CAT5e 350MHz UTP SOLID CABLE, 24 AWG, 4 PAIR, CMP, 1000FT, GREEN
ICCABP5EGY	CAT5e 350MHz UTP SOLID CABLE, 24 AWG, 4 PAIR, CMP, 1000FT, GREY
ICCABP5EWH	CAT5e 350MHz UTP SOLID CABLE, 24 AWG, 4 PAIR, CMP, 1000FT, WHITE
ICCABP5EYL	CAT5e 350MHz UTP SOLID CABLE, 24 AWG, 4 PAIR, CMP, 1000FT, YELLOW



FILE NO. 320548

CABLE, CAT5e, UTP, 24AWG, 4P, CMP, 1000FT

ITEM NO.	ICCABP5EXX	REV.	G
DWG NO.	PSCABP5E00	PAGE NO.	2



CUSTOMER CARE / TECHNICAL SUPPORT * CSR@ICC.COM / 888-ASK-4-ICC (275-4422) * 2100 E. Valencia Dr, Suite D, Fullerton, CA 92831 * www.icc.com