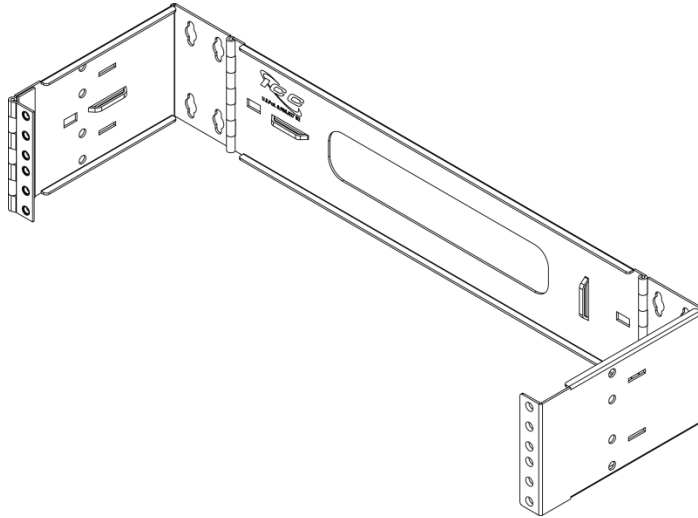


EZ FOLD Wall Mount Hinged Bracket, 2 RMS

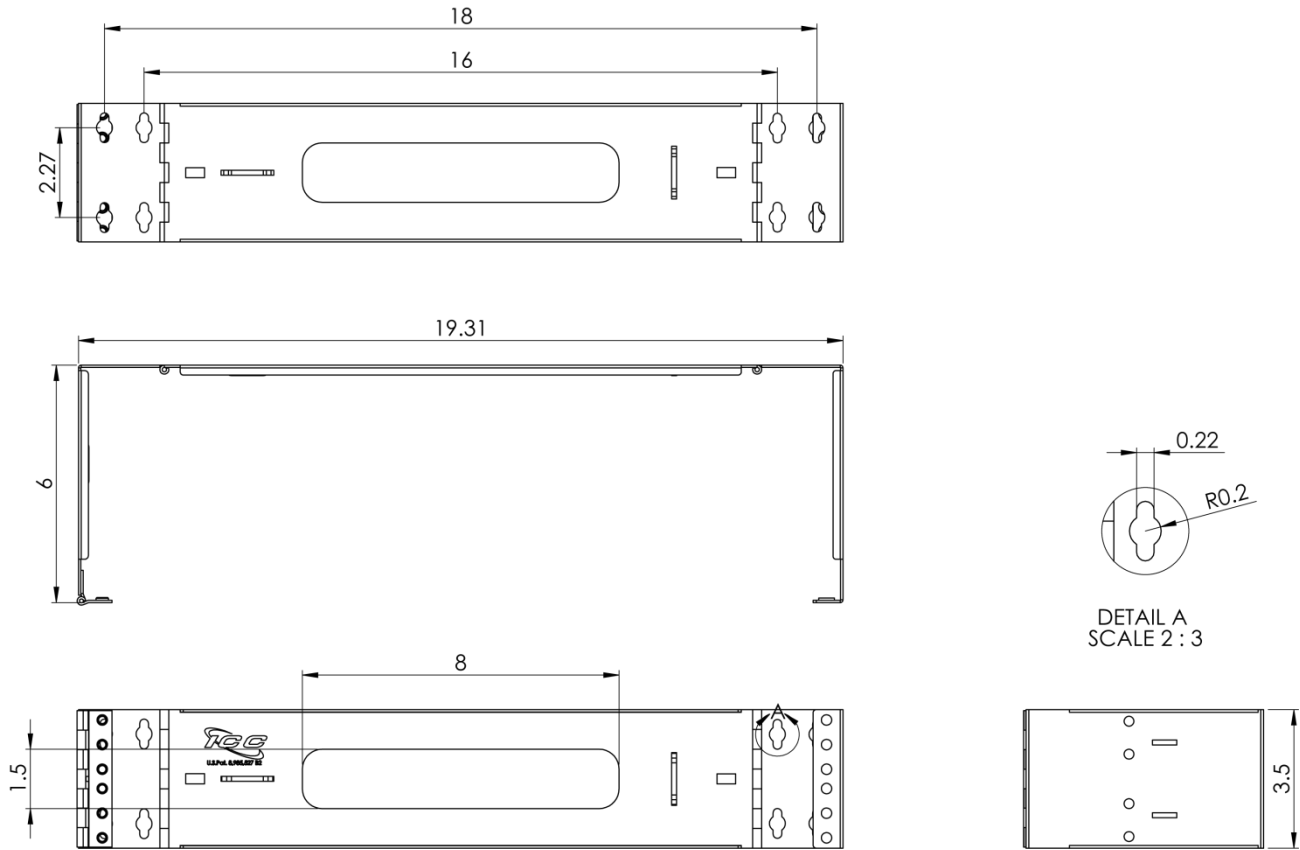
Package Includes:

- A. EZ Fold Wall Mount Hinged Bracket, **1 Piece**
- B. Installation Instructions, **1 Sheet**



Features and Benefits

- Designed with high quality steel and black liquid coating
- Designed with a 6" depth making it ideal for installing voice and data equipment such as patch panels and cable management products creating an organized system.
- Up to 20 lbs. weight capacity when propyl secured to surface
- Divided hinge allows easy access for upgrades and maintenance
- Ideal for installations with space restrictions
- 2 rack mount space (RMS)
- Compatible with cover ICCMSHBCVR
- Tapped holes are 12-24 threads
- EIA/ECA-310-E compliant



NOTE: UNLESS OTHERWISE SPECIFIED

1. Material: 16 GA CRS
2. Finish: Black powder coat