

High Capacity 5" Horizontal Finger Duct Panel, 1 RMS

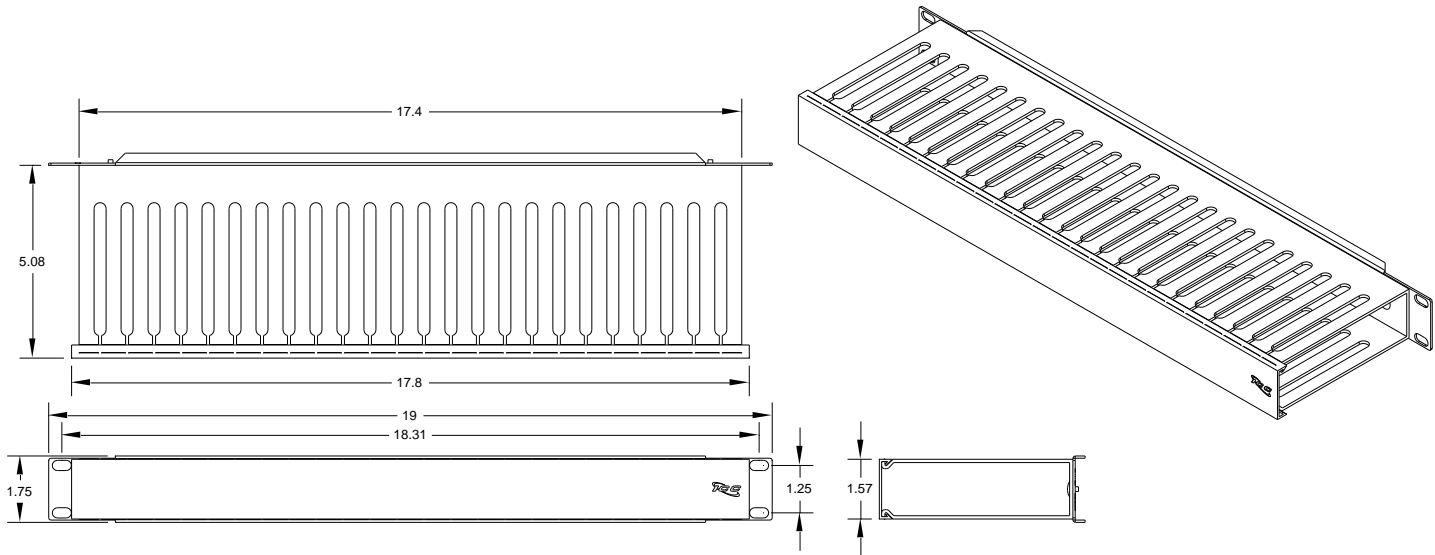
Package Includes:

- A. Horizontal Finger Duct Panel 1 RMS, **1 Piece**
- B. #12-24 x 5/8" Pan Head, Pilot Point Machine Screw, **4 Pieces**



Features and Benefits

- Provides flexibility for front cable management with a neat and clean appearance
- Designed with slotted ducts providing horizontal cable management on the front of a rack
- Designed to fit all standard 19" racks and cabinets
- Used with all ICCMS racks and brackets
- Single-sided, 1.75 H x 19" W x 5.00" D, 1 RMS
- UL 1863 compliant
- 5" Deep horizontal channel with top and bottom slotted flexible break away fingers that can be removed to allow routing large cable bundles
- Designed to organize up to 96 patch cables horizontally on 2-post racks, 4-post racks, wall mount racks, or wall mount brackets
- When used with the 78" Vertical Finger Duct Panels (ICCMSCMA73), the result is a complete and professional flush-mounted matching look that meets industry standards for proper installations of cable management



NOTE: UNLESS OTHERWISE SPECIFIED

1. Panel:

- A. Material: 16 Gauge CRS
- B. Surface Finish: Liquid Black Coating

2. Finger Duct:

- A. Material: PVC, UL 94V-0
- B. Finish: Texture, Black

3. Cover:

- A. Material: PVC, UL 94V-0
- B. Color: Black