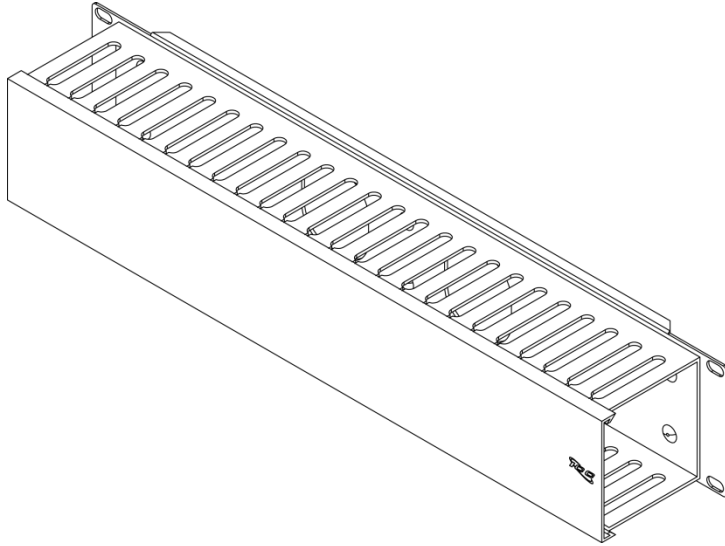


Horizontal Finger Duct Front Single Sided Panel, 2 RMS, 6 Pack

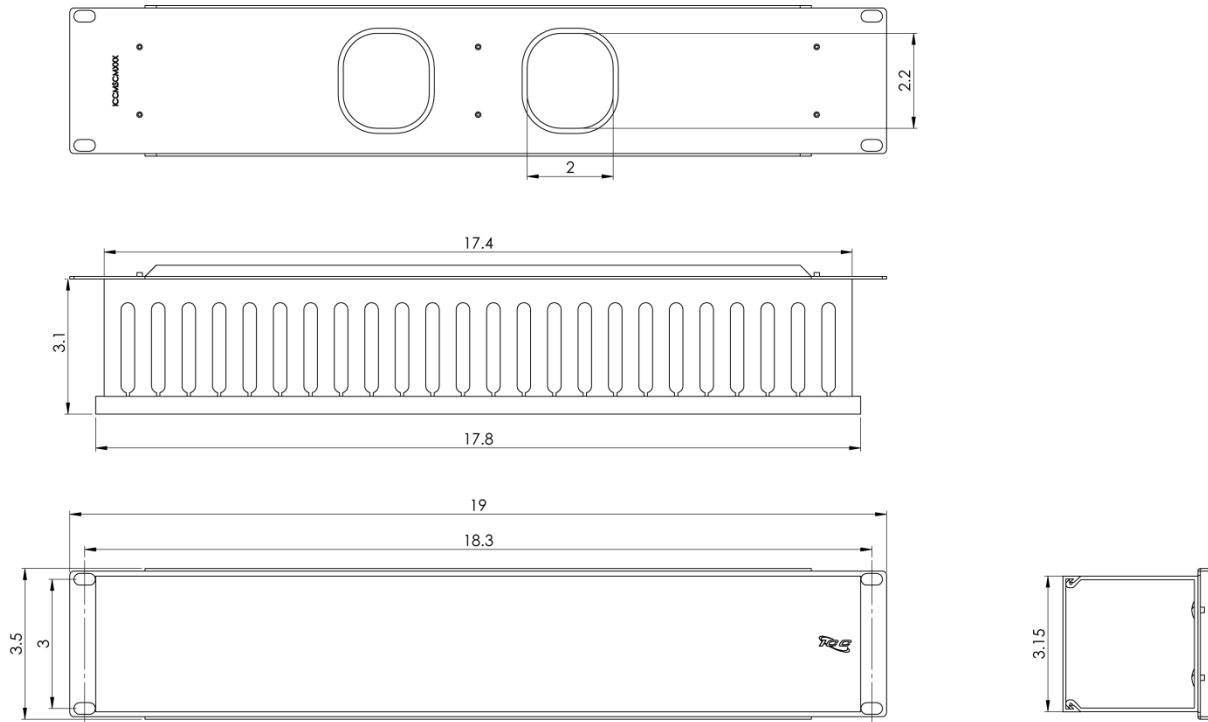


Package Includes:

- A. Horizontal Finger Duct Panel, 2 RMS, **6 Pieces**
- B. Horizontal Finger Duct Cover, **6 Pieces**
- C. #12-24 x 5/8" Pan Head, Pilot Point
Machine Screw, **24 Pieces**

Features and Benefits

- Provides flexibility for front cable management with a neat and clean appearance
- Designed with slotted ducts providing horizontal cable management on the front of a rack
- Designed to fit all standard 19" racks and cabinets
- Used with all ICCMS racks and brackets
- Equipped with feed-through holes on the back side for easier cable routing from front to back or back to front
- Single-sided, 2 RMS
- UL listed



NOTE: UNLESS OTHERWISE SPECIFIED

- Panel:
 - Material: 16 Gauge CRS
 - Surface Finish: Black Powder Coating
- Duct:
 - Material: PVC, UL 94V-0
 - Finish: Texture, Black
- Cover:
 - Material: PVC, UL 94V-0
 - Color: Black
- Size: 3.50" height x 19.00" width x 3.45" depth