

# Cable Management Interbay Panel, 1 RMS, 6 Pack

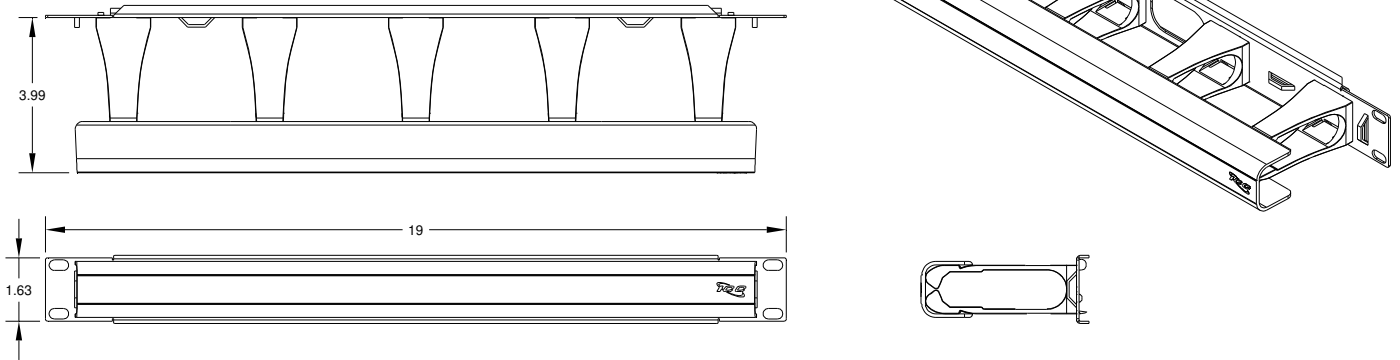
## Package Includes:

- A. Cable Management Interbay Panel, **6 Pieces**
- B. Cable Management Interbay Cover, **6 Pieces**
- C. Mounting Screws, **24 Pieces**



## Features and Benefits

- Provides flexibility for front cable management with a neat and clean appearance
- Designed with 5 horizontal rings to manage patch cords and cables
- Designed to fit all standard 19" racks and cabinets
- 1 Rack Mount Space (RMS)
- Removable cover included
- Used with all ICCMS racks and brackets
- ANSI/TIA-568-C and UL 1863 compliant
- Country of Origin: Taiwan
- TAA Compliant



**NOTE: UNLESS OTHERWISE SPECIFIED**

1. Panel:
  - A. Material: 16 GA CRS
  - B. Surface Finish: Black Powder Coat
2. Ring:
  - A. Material: ABS, UL 94V-0
  - B. Color: Black