

Horizontal Cable Management Metal Ring Panel, 2 RMS, 6 PK



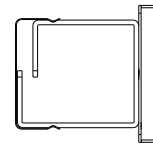
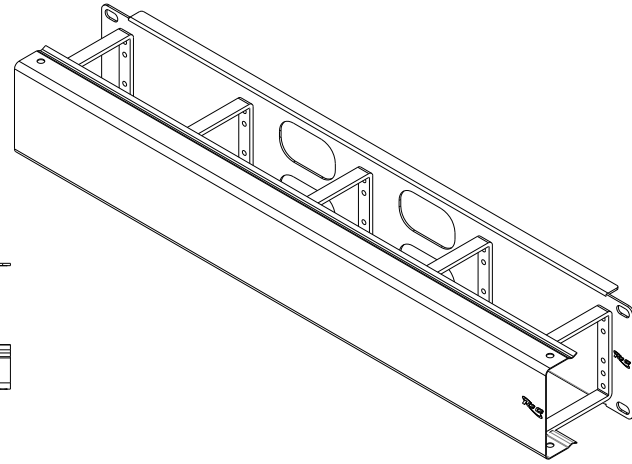
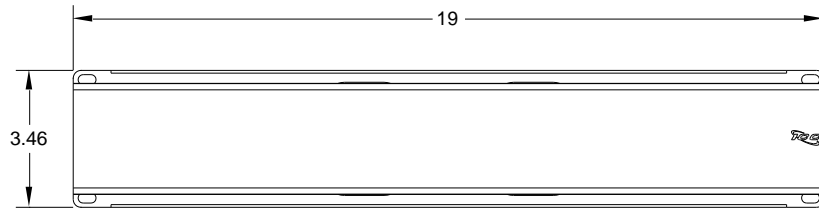
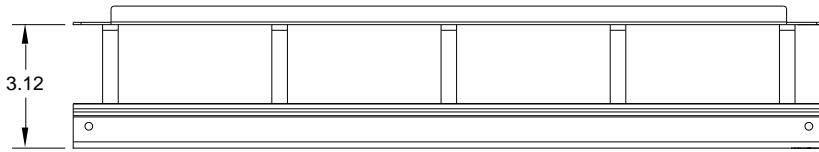
Package Includes

- A. Horizontal Metal Ring Panel, 2 RMS, 6 PCS
- B. #12-24 x 5/8" Pan Head, Pilot Point Machine Screw, 24 PCS

Features and Benefits

- Provides flexibility for front cable management with a neat and clean appearance
- Designed with 5 horizontal rings for patch cord organization
- Designed to fit all standard 19" wide racks and cabinets
- Panel openings for front and rear cable access
- Used with all ICCMS racks and brackets
- 2 rack mount spaces (RMS)

Product Specification



NOTE: UNLESS OTHERWISE SPECIFIED

1. MATERIAL:

- A. PANEL: 16 GA CRS
- B. RING: 11 GA CRS, 3.0" X 2.7" X .125" STRIP
- C. COVER: 25 GA CRS

2. SURFACE FINISH: BLACK TEXTURED POWDER COAT