

## 3.00" Double Horizontal Cable Management Ring

---

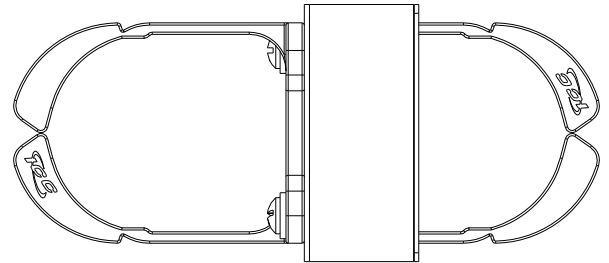
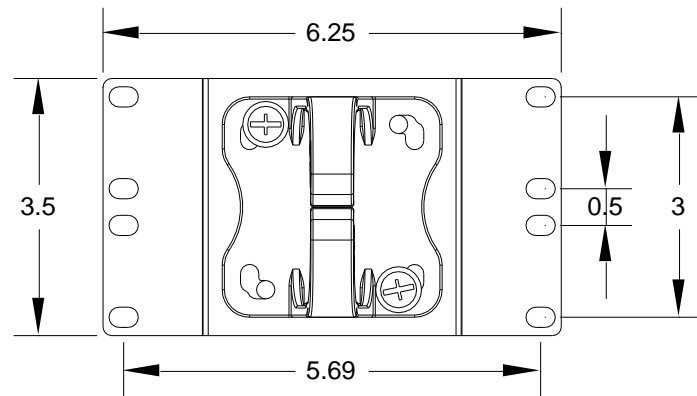
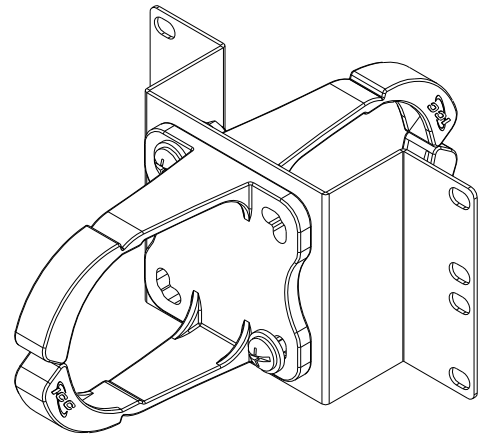
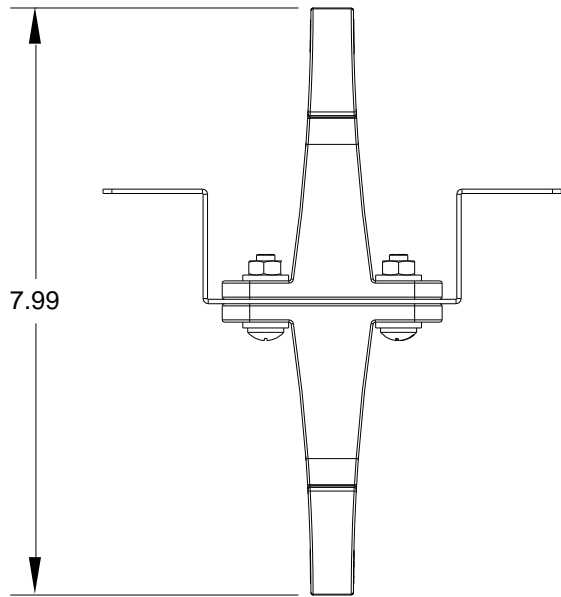


### Package Includes:

- A. 6" Double Horizontal Cable Management Ring, **1 Piece**
- B. #12-24 x 5/8" Pan Head, Pilot Point Machine Screw, **4 Pieces**

### Features and Benefits

- Provides flexibility for front and back cable management with a neat and clean appearance
- Suitable for distribution racks, wall mount racks, and wall mount brackets
- Fits on the sides of individual racks/brackets but can also be used to join two distribution racks
- Used with ICCMS distribution racks, ICCMSWMR wall mount racks, ICCMSSFR wall mount swing frame



**NOTE: UNLESS OTHERWISE SPECIFIED**

1. Ring:

- A. Material: High Impact ABS, UL 94V-0
- B. Color: Black

2. Bracket:

- A. Material: 16 Gauge CRS
- B. Surface Finish: Black Powder Coat