

1.70" Single Cable Management Ring, 10 Pack

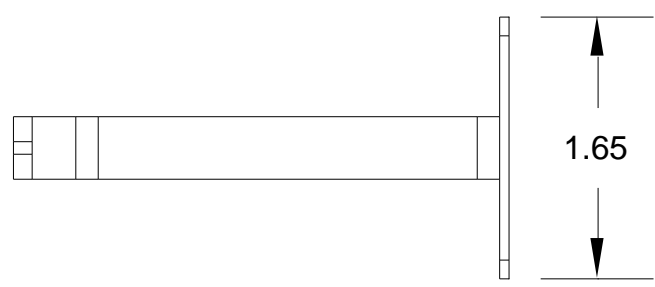
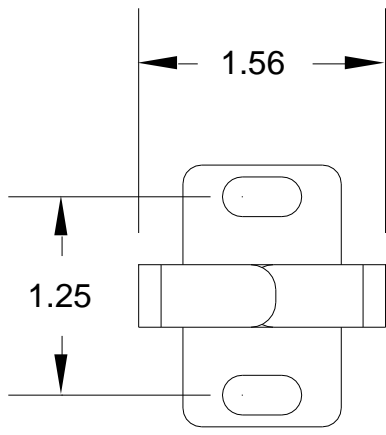
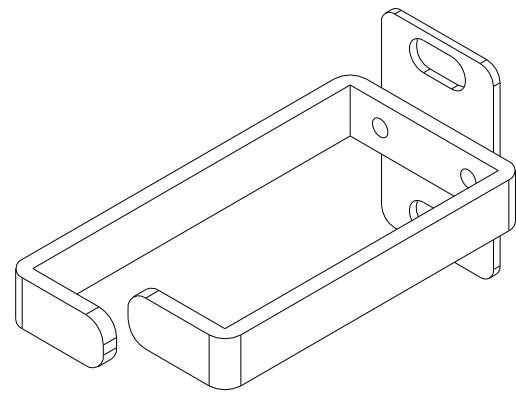
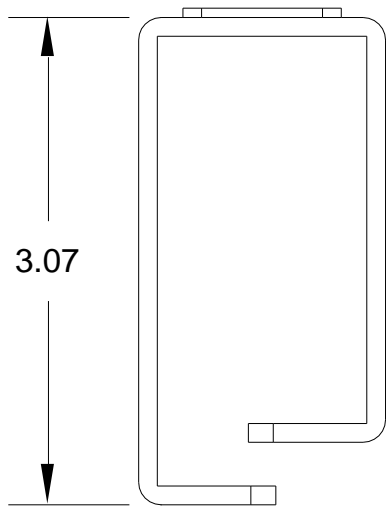


Package Includes:

- A. 1.7" Single Cable Management Ring, **10 Pieces**
- B. #12-24 x 5/8" Pan Head, Pilot Point Machine Screw, **20 Pieces**
- C. M4 x 4MM Pan Head, Phillips with Washer Screw, **10 Pieces**

Features and Benefits

- Provides flexibility for front and back cable management with a neat and clean appearance
- Suitable for distribution racks, wall mount racks, and wall mount brackets
- Used with ICCMS distribution racks, ICCMSWMR wall mount racks, ICCMSSFR wall mount swing frame



NOTE: UNLESS OTHERWISE SPECIFIED

1. Material:

A. Ring: 1/8" X 3/8" Strip CRS

B. Bracket: 16 Gauge CRS

2. Surface Finish: Black Textured Powder Coat